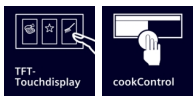


## iQ700, Built-In Microwave, Black BE732R1B1



The microwave with touchControl for easy control and direct selection of heating modes.

- ✓ TFT-Touchdisplay – Touch navigation for intuitive operation.
- ✓ touchControl – Easy control and direct selection of heating modes.
- ✓ For fast cleaning dirt is softened beforehand by vaporizing soapy water. It can then be removed more easily – humidClean Plus program.
- ✓ Automatic programs ensure best results - cookControl10.
- ✓ Inverter Technology – Constant microwave power for gradually heated food.

### Features

#### Technical Data

Type of micro-wave oven : MW+Grill function  
 Type of control : Electronic  
 Color / Material Front : Black  
 Dimensions : 382 x 594 x 318 mm  
 Cavity dimensions : 230 x 350 x 270 mm  
 Length electrical supply cord : 175 cm  
 Net weight : 18.7 kg  
 Gross weight : 20.9 kg  
 EAN code : 4242003906712  
 Maximum micro-wave power : 900 W  
 Connection Rating : 1990 W  
 Fuse protection : 10 A  
 Voltage : 220-240 V  
 Frequency : 50; 60 Hz  
 Plug type : GARDY plug w/ earthing  
 Cavity dimensions : 230 x 350 x 270 mm  
 Included accessories : 1 x grid, 1 x Glass tray

### Included accessories

- 1 x grid
- 1 x Glass tray



4 242003 906712

## iQ700, Built-In Microwave, Black BE732R1B1

### Features

#### Microwave and heating mode:

- Max. Power: 900 W; 5 Microwave power settings: 90 W, 180 W, 360 W, 600 W, boost
- Intelligent inverter technology: maximum output power will be regulated to 600 W when used in longer operation
- Grill 1.3 KW
- Grill and microwave power levels 90 W, 180 W, 360 W combinable
- Cavity volume: 21 l

#### Design:

- stainless steel cavity with glass bottom

#### Cleaning:

- Catalytic ceiling
- humidClean Plus

#### Comfort:

- electronic clock
- Touchcontrol
- User-friendly electronics: extremely
- easy and comfortable operation
- cookControl 10
- quickStart: one tap to maximum microwave power for 30 seconds
- LED illumination
- side opening door, hinge right
- Electronic door opener
- Touch key operation

#### Accessory:

- 1 x grid, 1 x Glass tray

#### Environment and Safety:

- Start-/Stop button
- Door contact switch
- Integral cooling fan

#### Technical Information

- Length of mains cable: 175 cm
- Total connected load electric: 1.99 KW
- Nominal voltage: 220 - 240 V
- suitable for high cupboard installation, can be built in a 60 cm wall cupboard (at least 30 cm deep)

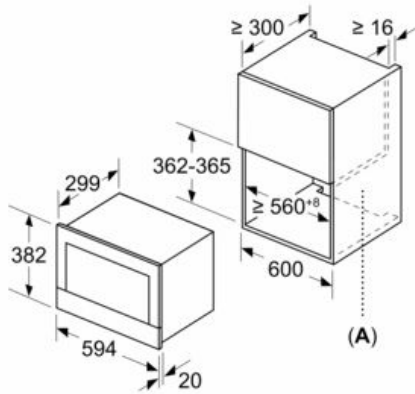
#### Dimensions:

- Appliance dimension (HxWxD): 382 mm x 594 mm x 318 mm
- Niche dimension (HxWxD): 362 mm - 382 mm x 560 mm - 568 mm x 300 mm
- "Please reference the built-in dimensions provided in the installation drawing"

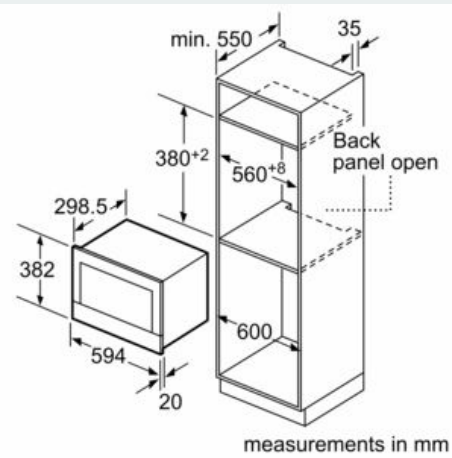
iQ700, Built-In Microwave, Black  
BE732R1B1

Dimensioned drawings

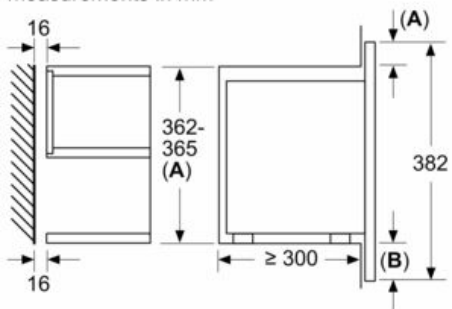
measurements in mm



A: Back panel open



measurements in mm



A: Overhang at top:  
Recess 362: 6 mm  
Recess 365: 3 mm

B: Overhang at bottom: 14 mm