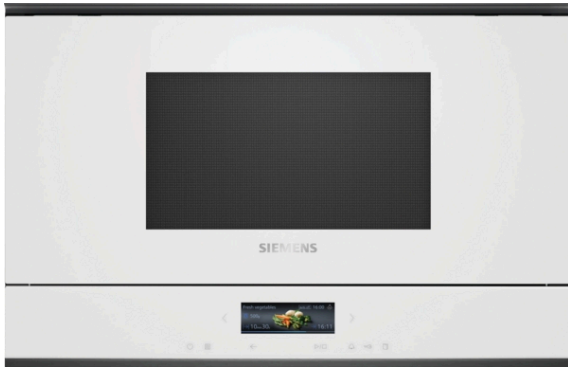


iQ700, Built-In Microwave, White BF722L1W1



The microwave with touchControl for easy control and direct selection of heating modes.

- ✓ TFT-Touchdisplay – Touch navigation for intuitive operation.
- ✓ touchControl – Easy control and direct selection of heating modes.
- ✓ For fast cleaning dirt is softened beforehand by vaporizing soapy water. It can then be removed more easily – humidClean Plus program.
- ✓ Automatic programs ensure excellent results - cookControl7.
- ✓ Time-saving and powerful up to 900 watts - Wattage.

Features

Technical Data

Type of control : Electronic
 Color / Material Front : White
 Dimensions : 382 x 594 x 318 mm
 Cavity dimensions : 230 x 350 x 270 mm
 Length electrical supply cord : 175 cm
 Net weight : 17.1 kg
 Gross weight : 18.9 kg
 EAN code : 4242003906651
 Maximum micro-wave power : 900 W
 Connection Rating : 1220 W
 Fuse protection : 10 A
 Voltage : 220-240 V
 Frequency : 50; 60 Hz
 Plug type : Gurdy plug w/ earthing
 Cavity dimensions : 230 x 350 x 270 mm



iQ700, Built-In Microwave, White BF722L1W1

Features

Microwave and heating mode:

- Max. Power: 900 W; 5 Microwave power settings: 90 W, 180 W, 360 W, 600 W, boost
- Intelligent inverter technology: maximum output power will be regulated to 600 W when used in longer operation
- Cavity volume: 21 l

Design:

- stainless steel cavity with glass bottom

Cleaning:

- humidClean Plus

Comfort:

- electronic clock
- Touchcontrol
- User-friendly electronics: extremely easy and comfortable operation
- cookControl 7
- 3 defrost and 4 cooking programmes in microwave function
- quickStart: one tap to maximum microwave power for 30 seconds
- LED illumination
- side opening door, hinge left
- Electronic door opener
- Touch key operation

Environment and Safety:

- Start-/Stop button
- Door contact switch
- Integral cooling fan

Technical Information

- Length of mains cable: 175 cm
- Total connected load electric: 1.22 KW
- Nominal voltage: 220 - 240 V
- suitable for high cupboard installation, can be built in a 60 cm wall cupboard (at least 30 cm deep)

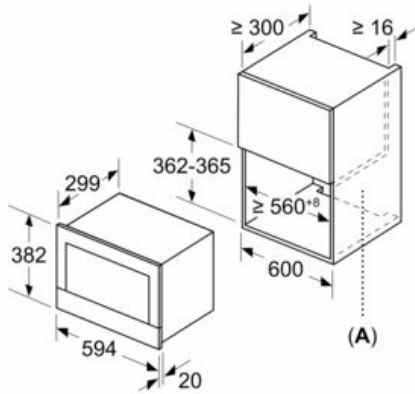
Dimensions:

- Appliance dimension (HxWxD): 382 mm x 594 mm x 318 mm
- Niche dimension (HxWxD): 362 mm - 382 mm x 560 mm - 568 mm x 300 mm
- "Please reference the built-in dimensions provided in the installation drawing"

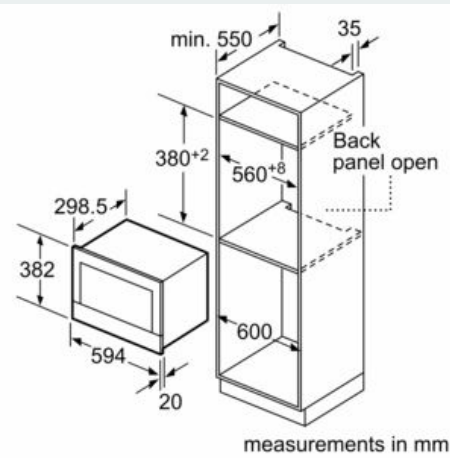
iQ700, Built-In Microwave, White
BF722L1W1

Dimensioned drawings

measurements in mm

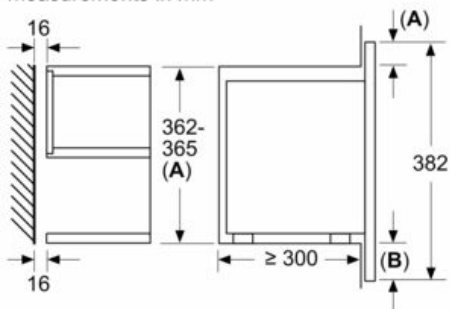


A: Back panel open



measurements in mm

measurements in mm



A: Overhang at top:
Recess 362: 6 mm
Recess 365: 3 mm

B: Overhang at bottom: 14 mm