

**iQ700, Built-in vacuum drawer, 60 x 14  
cm  
BV910E1B1**



The vacuum drawer for sous-vide cooking, aroma preservation and longer storage.

- ✓ Aroma preservation – Enjoy fine aromas and store food longer with vacuuming.
- ✓ push&pull – No-handle drawer that's easy to open and close.

#### Features

##### Technical Data

Net weight : 32.2

Gross weight : 34.1

Product image : 18104580\_BV910E1B1\_STP\_def.jpg

EAN code : 4242003909638

Dimensions of the packed product (HxWxD) : 230 x 660 x 660

Included accessories : 50 x Vacuuming bag, small, 50 x Vacuuming bag, big, 1 x Adaptor f. vacuuming outside the chamber, 1 x

Vacuuming hose, 1 x Adaptor for bottle plugs, 3 x Plugs for vacuuming of bottles



4 242003 909638

## iQ700, Built-in vacuum drawer, 60 x 14 cm BV910E1B1

### Features

#### Vacuumping levels:

- # 3 vacuumping levels for vacuumping in the chamber, max. 99%
- # 3 vacuumping levels for vacuumping outside the chamber, max. 90%
- # 3 heat sealing durations for different bag thicknesses and materials.

#### Design:

- # stainless steel cavity
- # Touch Control illuminated
- # Touch key operation

#### Comfort:

- # Cavity volume: 8 l
- # push&pull opening without handle
- # Automatic connection recognition for vacuumping outside the chamber
- # Drying program for vacuumping pump
- # A stop position prevents a random closing of the drawer.
- # The vacuum bags are held by a clip safely in their position.

#### Accessory:

- # 1 x Adaptor for bottle plugs, 1 x Adaptor f. vacuumping outside the chamber, 50 x Vacuumping bag, big, 50 x Vacuumping bag, small, 1 x Vacuumping hose, 3 x Plugs for vacuumping of bottles

#### Environment and Safety:

- # Door contact switch

#### Technical Information

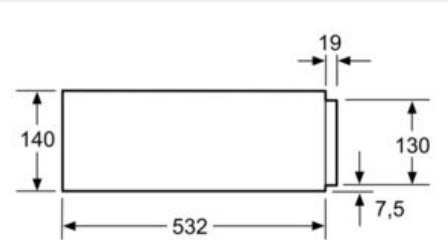
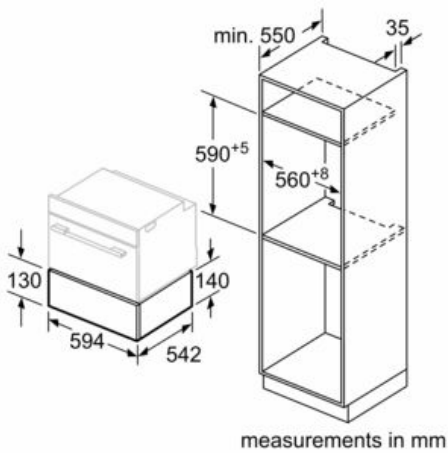
- # Length of mains cable: 150 cm
- # Total connected load electric: 0.32 KW
- # Nominal voltage: 220 - 240 V

#### Dimensions:

- # Appliance dimension (HxWxD): 140 mm x 595 mm x 542 mm
- # "Please reference the built-in dimensions provided in the installation drawing"

iQ700, Built-in vacuum drawer, 60 x 14 cm  
BV910E1B1

Dimensioned drawings



Compact ovens with an appliance height of 455 mm can be installed above a vacuum sealing drawer. An intermediate floor is not required.

measurements in mm