

iQ700, Built-in compact oven, 60 x 45 cm, Black CB734G1B1



The intelligent oven with Oven Assistant with Voice Control for intuitive programme setting.

- ✓ TFT-Touchdisplay – Touch navigation for intuitive operation.
- ✓ Oven Assistant with Voice Control – Intuitively set the right programme.
- ✓ Cut down on oven cleaning – ecoClean.
- ✓ humidClean Plus - For fast cleaning dirt is softened beforehand by vaporizing soapy water. It can then be removed more easily.
- ✓ Home Connect with Remote Control – Unlock the full potential of your smart oven.

Features

Technical Data

Color / Material Front : Black
 Built-in / Free-standing : Built-in
 Integrated Cleaning system : Catalytic partial, Hydrolytic
 Min. required niche size for installation (HxWxD) : 450-455 x 560-568 x 550 mm
 Dimensions : 455 x 594 x 548 mm
 Dimensions of the packed product (HxWxD) : 520 x 690 x 650 mm
 Control Panel Material : Glass
 Door Material : Glass
 Net weight : 29.4 kg
 Usable volume of cavity : 47 l
 Heating modes : : Bottom heat, Circulating air, Conventional heat gentle, Full width grill, Gentle heating, Half width grill, Hotair gentle, Hot air grilling, Keep warm, pre-heating, Top/bottom heat
 Oven control : electronic
 Number of interior lights : 1
 Length electrical supply cord : 150 cm
 EAN code : 4242003900987
 Number of cavities (2010/30/EC) : 1
 Energy efficiency class (2010/30/EC) : A+
 Energy consumption per cycle conventional (2010/30/EC) : 0.73 kWh/cycle
 Energy consumption per cycle forced air convection (2010/30/EC) : 0.61 kWh/cycle
 Energy efficiency index (2010/30/EC) : 81.3 %
 Connection Rating : 2900 W
 Fuse protection : 13 A
 Voltage : 220-240 V
 Frequency : 50; 60 Hz
 Plug type : GARDY plug w/ earthing
 Included accessories : 1 x combination grid, 1 x universal pan

Included accessories

- 1 x combination grid
- 1 x universal pan

Optional accessories

HZG0AS00 : Connecting cable 3m , HZ915003 : Glass roasting dish, 5,4 L , HZ66X650 : Cover Strip , HZ66X600 : Decor list , HZ664000 : Baking and roasting grid (steam) , HZ638000 : Full ext rails, level independent , HZ636000 : Glass pan , HZ634000 : Baking and roasting grid (standard) , HZ632070 : Multipurpose pan, anthracite enamelled , HZ631070 : Baking tray, anthracite enamelled , HZ617000 : Pizza pan, anthracite enamelled , HZ538000 : varioClip rail , HZ532010 : Universal pan, non-stick ceramic coated , HZ530000 : 2 multipurpose pans, slim size , HZ327000 : Baking stone



iQ700, Built-in compact oven, 60 x 45 cm, Black CB734G1B1

Features

Type of oven / heating system:

- Compact oven with 11 heating methods: Conventional heat, hotAir grilling, Full width grill, Half width grill, Bottom heat, Gentle heating, Plate warming setting, Keep warm, hotAir gentle, Conventional heat gentle, 2D hotAir
- Temperature range 30 °C - 300 °C
- Cavity volume: 47 l

Hook-in racks / rails

- Number of shelf levels: 3 PC

Design:

- Touchcontrol
- Cavity inner surface: enamel

Cleaning:

- ecoClean: coating of back panel
- humidClean Plus
- Full glass inner door

Comfort:

- Oven Assistant with Voice Control
- TFT-Touchdisplay
- electronic clock
- Temperature proposal
- Actual temperature display Optical temperature control
- Drop down door
- softMove for gentle opening and closing of the oven door
- cookControl Plus
- fastPreheat
- Halogen interior lighting, Independent oven interior light button
- Integral cooling fan
- Home Connect ready on Wi-Fi

Accessory:

- 1 x combination grid, 1 x universal pan

Environment and Safety:

- Low door temperature
- Triple glazed door with heat reflective glass glazed CoolTouch door
- Child lock
- Residual heat indicator Start-/Stop button Door contact switch

Technical Information

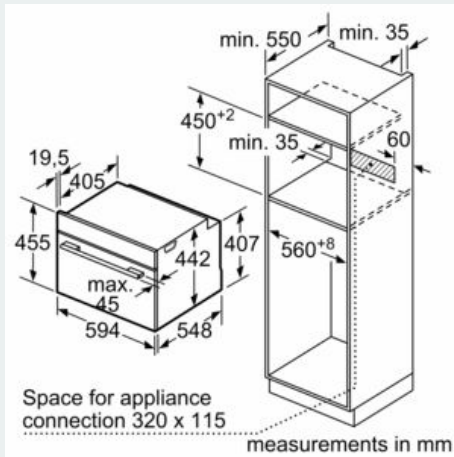
- Length of mains cable: 150 cm
- Nominal voltage: 220 - 240 V
- Total connected load electric: 2.9 KW
- Energy efficiency rating (acc. EU Nr. 65/2014): A+(at a range of energy efficiency classes from A+++ to D)
- Energy consumption per cycle in conventional mode:0.73 kWh
- Energy consumption per cycle in fan-forced convection mode:0.61 kWh
- Number of cavities: 1 Heat source: electrical Cavity volume:47 l
-

Dimensions:

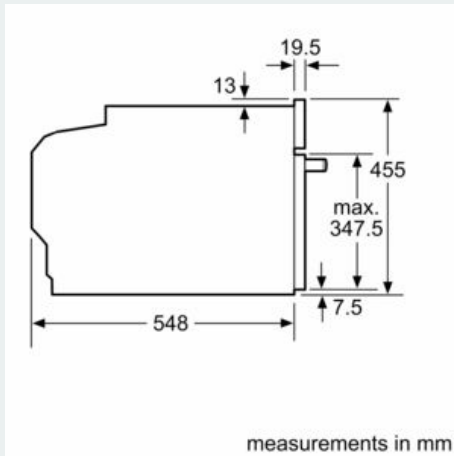
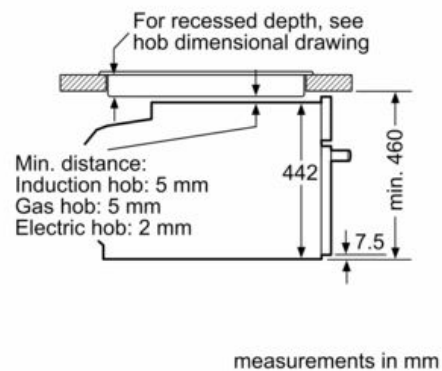
- Appliance dimension (HxWxD): 455 mm x 594 mm x 548 mm
- Niche dimension (HxWxD): 450 mm - 455 mm x 560 mm - 568 mm x 550 mm
- "Please reference the built-in dimensions provided in the installation drawing"

iQ700, Built-in compact oven, 60 x 45 cm, Black
CB734G1B1

Dimensioned drawings



Installation with a hob.



If the compact appliance will be installed underneath a hob, the following worktop thicknesses (including substructure if necessary) must be taken into account.

Hob type	min. worktop thickness	
	fitted	flush
Induction hob	42 mm	43 mm
Full surface Induction hob	52 mm	53 mm
Gas hob	32 mm	43 mm
Electric hob	32 mm	35 mm

