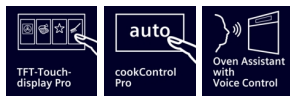


iQ700, Built-in compact oven with microwave function, 60 x 45 cm, Black CM978GNB1



Der intelligente Backofen mit Mikrowellenfunktion führt dich dank Backofenassistent mit Sprachsteuerung intuitiv zu den richtigen Programmeinstellungen und nimmt dir dank activeClean die Reinigung ab.

- ✓ TFT-Touchdisplay Pro – Large colour touch display for comfortable operation.
- ✓ cookControl Pro – Excellent results, whatever the recipe or circumstances.
- ✓ Oven Assistant with Voice Control – Intuitively set the right programme.
- ✓ humidClean Plus - For fast cleaning dirt is softened beforehand by vaporizing soapy water. It can then be removed more easily.
- ✓ Home Connect with Remote Control – Unlock the full potential of your smart oven.

Features

Technical Data

Type of micro-wave oven : MW-Combi
 Type of control : Electronic
 Color / Material Front : Black
 Dimensions : 455 x 594 x 548 mm
 Cavity dimensions : 237.0 x 480 x 392.0 mm
 Length electrical supply cord : 150 cm
 Net weight : 37.3 kg
 Gross weight : 40.6 kg
 EAN code : 4242003901410
 Maximum micro-wave power : 900 W
 Connection Rating : 3600 W
 Fuse protection : 16 A
 Voltage : 220-240 V
 Frequency : 50; 60 Hz
 Plug type : Gardy plug w/ earthing
 Cavity dimensions : 237.0 x 480 x 392.0 mm
 Included accessories : 1 x enamel baking tray, 1 x combination grid, 1 x universal pan

Included accessories

- 1 x enamel baking tray
- 1 x combination grid
- 1 x universal pan

Optional accessories

- HZ915003 Glass roasting dish, 5,4 L
- HZ66X600 Decor list
- HZ636000 Glass pan
- HZ634000 Baking and roasting grid (standard)
- HZ632070 Multipurpose pan, anthracite enamelled
- HZ631070 Baking tray, anthracite enamelled
- HZ617000 Pizza pan, anthracite enamelled
- HZ532010 Universal pan, non-stick ceramic coated
- HZ531010 Baking tray, non-stick ceramic coated
- HZ327000 Baking stone



iQ700, Built-in compact oven with microwave function, 60 x 45 cm, Black CM978GNB1

Features

Type of oven / heating system:

- Compact oven with microwave with 21 heating methods: 4D hotAir, Conventional heat, hotAir grilling, Full width grill, Half width grill, Pizza setting, coolStart, Bottom heat, Intensive heat, Gentle heating, Plate warming setting, Desiccation, Keep warm, hotAir gentle, Conventional heat gentle, microwave, 4D hotair + microwave, Top/bottom heat + microwave, grill + microwave, half width grill + microwave, hotair grilling + microwave
- Max. Power: 900 W; 5 Microwave power settings (90 W, 180 W, 360 W, 600 W, boost) with Inverter (MW)
- Intelligent inverter technology: maximum output power will be regulated to 600 W when used in longer operation
- Temperature range 30 °C - 300 °C
- Cavity volume: 45 l

Hook-in racks / rails

- Number of shelf levels: 3 PC

Design:

- blackSteel application
- Touchcontrol
- studioLine Glass handle
- Cavity inner surface: enamel

Cleaning:

- activeClean®
- humidClean Plus

Comfort:

- Oven Assistant with Voice Control
- TFT-Touchdisplay Pro
- electronic clock
- Temperature proposal
- Actual temperature display Optical temperature control
- Drop down door
- softMove for gentle opening and closing of the oven door
- cookControl Pro
- roastingSensor Plus
- bakingSensor Plus
- fastPreheat
- coolStart
- LED illumination, Independent oven interior light button
- Integral cooling fan
- Home Connect ready on Wi-Fi

Accessory:

- 1 x enamel baking tray, 1 x combination grid, 1 x universal pan

Environment and Safety:

- Very low door temperature
- Quadruple glazed door with heat reflective glass glazed CoolTouch door
- Automatic door lock during pyrolysis
- Child lock Residual heat indicator Start-/Stop button Door contact switch

Technical Information

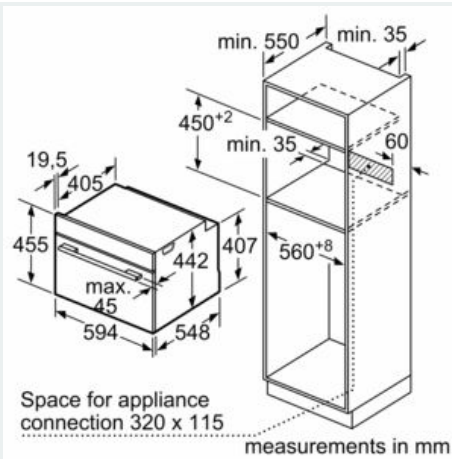
- Length of mains cable: 150 cm
- Nominal voltage: 220 - 240 V
- Total connected load electric: 3.6 KW

Dimensions:

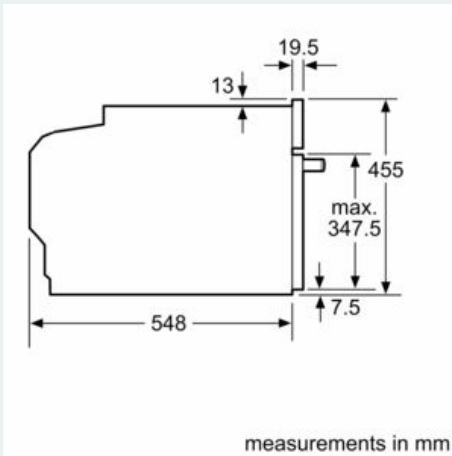
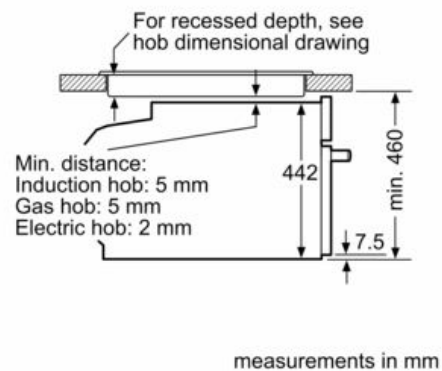
- Appliance dimension (HxWxD): 455 mm x 594 mm x 548 mm
- Niche dimension (HxWxD): 450 mm - 455 mm x 560 mm - 568 mm x 550 mm
- "Please reference the built-in dimensions provided in the installation drawing"

iQ700, Built-in compact oven with microwave function, 60 x 45 cm, Black CM978GNB1

Dimensioned drawings



Installation with a hob.



If the compact appliance will be installed underneath a hob, the following worktop thicknesses (including substructure if necessary) must be taken into account.

Hob type	min. worktop thickness	
	fitted	flush
Induction hob	42 mm	43 mm
Full surface Induction hob	52 mm	53 mm
Gas hob	32 mm	43 mm
Electric hob	32 mm	35 mm

