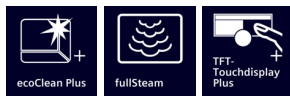


## iQ700, Built-in compact oven with steam function, 60 x 45 cm, Black CS858GRB7



Shorten your cooking time thanks to fastPreheat and coolStart. And remote your oven from anywhere with Home Connect.

- ✓ Far less oven cleaning – ecoClean Plus.
- ✓ fullSteam with Sous-vide – For healthy and great-tasting meals.
- ✓ Home Connect – Experience the intelligent kitchen via app.
- ✓ TFT touchdisplay Plus – Touch navigation for simple and intuitive operation.
- ✓ roastingSensor Plus – Three-point thermometer for excellent roasts every time.

### Features

#### Technical Data

Color / Material Front : Black  
 Built-in / Free-standing : Built-in  
 Door opening : Drop down  
 Min. required niche size for installation (HxWxD) : 450-455 x 560-568 x 550 mm  
 Dimensions : 455 x 594 x 548 mm  
 Dimensions of the packed product (HxWxD) : 540 x 650 x 690 mm  
 Control Panel Material : Glass  
 Door Material : Glass  
 Net weight : 36.2 kg  
 Length electrical supply cord : 150 cm  
 EAN code : 4242003839546  
 Fuse protection : 16 A  
 Voltage : 220-240 V  
 Frequency : 50; 60 Hz  
 Plug type : GARDY plug w/ earthing  
 Number of cavities (2010/30/EC) : 1  
 Usable volume (of cavity) - NEW (2010/30/EC) : 47 l  
 Energy efficiency class (2010/30/EC) : A+  
 Energy consumption per cycle conventional (2010/30/EC) : 0.73 kWh/cycle  
 Energy consumption per cycle forced air convection (2010/30/EC) : 0.61 kWh/cycle  
 Energy efficiency index (2010/30/EC) : 81.3 %  
 Included accessories : 1 x grid, 1 x universal pan, 1 x steam container, punched, size S, 1 x steam container, punched, size XL, 1 x steam container, unpunched, size S, 1 x steam container, unpunched, size S, 1 x sponge

### Included accessories

1 x grid, 1 x universal pan, 1 x steam container, punched, size S, 1 x steam container, punched, size XL, 1 x steam container, unpunched, size S, 1 x sponge

### Optional accessories

HZG0AS00 : Connecting cable 3m , HZ915003 : Glass roasting dish, 5,4 L , HZ6BMA00 : Assembly kit for vertical installation , HZ66X600 : Decor list , HZ636000 : Glass pan , HZ632070 : Multipurpose pan, anthracite enamelled , HZ631070 : Baking tray, anthracite enamelled , HZ625071 : Grill tray, anthracite enamelled , HZ617000 : Pizza pan, anthracite enamelled , HZ532010 : Universal pan, non-stick ceramic coated , HZ531010 : Baking tray, non-stick ceramic coated , HZ36D613G : Steam container, punched, size S , HZ36D613 : Steam container, unpunched, size S



## iQ700, Built-in compact oven with steam function, 60 x 45 cm, Black CS858GRB7

### Features

#### Type of oven / heating system:

- Compact steam oven with 15 heating methods: 4D hotAir, Hotair eco,, Conventional heat, Conventional heat ECO, hotAir grilling, Full width grill, Half width grill, Pizza setting, coolStart, Bottom heat, Intensive heat, Gentle heating, Plate warming setting, Desiccation, Keep warm
- Additional heating methods with steam: Steam, Regeneration with steam, Fermentation with steam, Defrost with steam, sous-vide cooking
- Temperature range 30 °C - 250 °C
- Cavity volume: 47 l

#### Hook-in racks / rails

- Number of shelf levels: 3 PC
- 1 level telescopic shelf, full extension, with Stop function

#### Design:

- blackSteel application
- Rotary Control
- Cavity inner surface: enamel anthracite

#### Cleaning:

- ecoClean Plus: coating of ceiling, back panel, side liners
- ecoClean Plus program, humidClean (manually)
- Full glass inner door

#### Comfort:

- 5,7"-TFT-color and graphics display with direct touch function
- electronic clock
- Temperature proposal
- Actual temperature display Optical temperature control
- Additional functions:
- descaling programme
- autom. boiling point detection drying function
- Drop down door, softMove for gentle opening and closing of the oven door
- studioLine bar handle
- Supporting systems: Meals
- fastPreheat
- coolStart
- LED illumination, Independent oven interior light button
- Water tank empty indicator
- Location of the steam generator is outside of the cavity
- Integral cooling fan
- Home Connect ready on Wi-Fi

#### Accessory:

- 1 x steam container, punched, size S, 1 x steam container, punched, size XL, 1 x steam container, unpunched, size S, 1 x grid, 1 x sponge, 1 x universal pan

#### Environment and Safety:

- Low door temperature
- Triple glazed door with heat reflective glass glazed CoolTouch door
- Child lock
- Residual heat indicator Start-/Stop button Door contact switch

#### Technical Information

- Length of mains cable: 150 cm
- Nominal voltage: 220 - 240 V

- Total connected load electric: 3.3 KW
- Energy efficiency rating (acc. EU Nr. 65/2014): A+(at a range of energy efficiency classes from A+++ to D)
- Energy consumption per cycle in conventional mode:0.73 kWh
- Energy consumption per cycle in fan-forced convection mode:0.61 kWh
- Number of cavities: 1 Heat source: electrical Cavity volume:47 l
- 

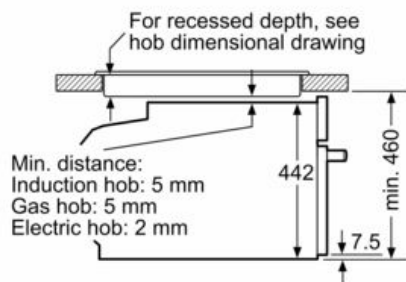
#### Dimensions:

- Appliance dimension (HxWxD): 455 mm x 594 mm x 548 mm
- Niche dimension (HxWxD): 450 mm - 455 mm x 560 mm - 568 mm x 550 mm
- "Please reference the built-in dimensions provided in the installation drawing"
- We recommend you to choose complementary products within iQ700, in order to assure an optimal design combination of your Built-In appliances.

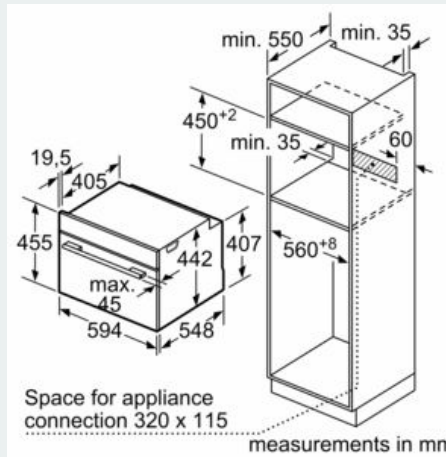
## iQ700, Built-in compact oven with steam function, 60 x 45 cm, Black CS858GRB7

### Dimensioned drawings

#### Installation with a hob.



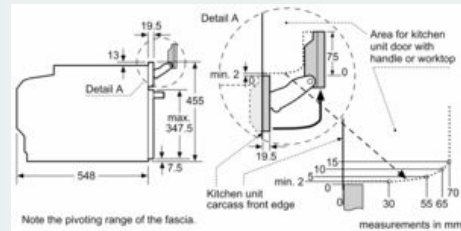
measurements in mm



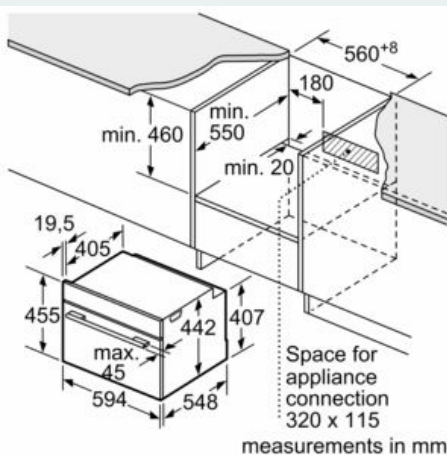
measurements in mm

If the compact appliance will be installed underneath a hob, the following worktop thicknesses (including substructure if necessary) must be taken into account.

Hob type	min. worktop thickness	
	fitted	flush
Induction hob	42 mm	43 mm
Full surface Induction hob	52 mm	53 mm
Gas hob	32 mm	43 mm
Electric hob	32 mm	35 mm



measurements in mm



measurements in mm