

iQ700, Built-In Fully Automatic Coffee Machine, black CT718L1B0



- ✓ TFT-Touchdisplay Pro – Large colour touch display for comfortable operation.
- ✓ The perfect aroma profile for every individual taste – aromaSelect.
- ✓ Discover the fantastic taste of international coffee specialties – coffeeWorld.
- ✓ Save up to 30 individual coffee preferences – Favorites.
- ✓ autoMilk Clean – automatic steam cleaning of the milk system after every drink

Features

Technical Data

Built-in / Free-standing : Built-in
 Frothing nozzle : No
 Display : No
 Water protection system : No
 Portion sizes : All cups
 Dimensions : 455 x 594 x 385 mm
 Dimensions of the packed product (HxWxD) : 540 x 478 x 670 mm
 Required niche size for installation (HxWxD) : 449 x 558 x 376 mm
 EAN code : 4242003895580
 Fuse protection : 10 A
 Voltage : 220-240 V
 Frequency : 50/60 Hz
 Plug type : Gardy plug w/ earthing



Included accessories

1 x assembly screws, 1 x milk container, 1 x test strip, 1 x connection hose for milk frother, 1 x milk pipe, 1 x welcome-Box

iQ700, Built-In Fully Automatic Coffee Machine, black CT718L1B0

Features

Flavour

- up to 32 beverages (within appliance and Home Connect app)
- warm milk, milk froth and hot water function
- aromaSelect – 3 different aroma profiles (mild-balanced-distinctive)
- adjustable milk ratio for classic milk-mix beverages
- intelligent strength adjustment – adaptive coffee management based on strength and size
- aromaDouble Shot – less bitterness in large beverages due to two brewing processes

Convenience

- TFT-Touchdisplay Pro - 6.8" TFT- color display with touch and slide functionality
- Favorites: save up to 30 personalised beverages
- height adjustable beverage outlet (up to 15 cm high glasses)
- oneTouch DoubleCup – get two cups at the touch of a button
- 2.4 l removable water tank

Performance

- silentCeram Drive – high-quality grinder made of wear-resistant ceramic
- water pump with 19 bar pressure

Hygiene

- autoMilk Clean – automatic steam cleaning after every drink
- calc'nClean – combined descaling and cleaning program for less effort
- removable brewing unit – for easy and hygienic cleaning
- dishwasher-proof: beverage outlet, drip tray and drip pans
- automatic reminder for cleaning, descaling or water filter change

Home Connect

- remote control – operate your appliance from everywhere
- coffeePlaylist – select several drinks in the app, prepared in your chosen order
- additional coffee know-how
- software update – always the newest software status
- online support
- Security: Security is of top priority at Home Connect. The Home Connect app has been tested and certified by TÜV IT. And the encrypted data transfer via Home Connect protocol protects against unauthorised access.

Miscellaneous

- integrated 0,7 l milk container
- 500 g bean container with aroma protection lid
- illuminated coffee outlet and stage
- adjustable grinding degree (multi-level)
- child lock

Accessories

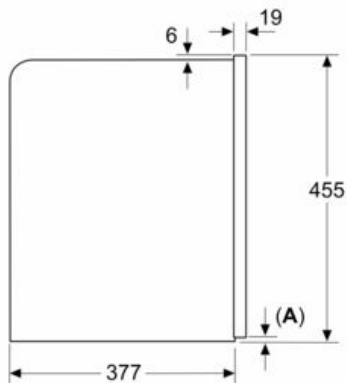
- included accessories: 1 x assembly screws, 1 x connection hose for milk frother, 1 x milk container, 1 x milk pipe, 1 x test strip, 1 x welcome-Box
- Separately available accessories: cleaning tablets (TZ80001...), descaling tablets (TZ80002...), BRITA Intenza water filter (TZ70003/TZ70033), care set for fully-automatic espresso makers (TZ80004...), adapter for milk carton (TZ70001), milk container (TZ90009)

- Separately available accessories: cleaning tablets (TZ80001...), descaling tablets (TZ80002...), BRITA Intenza water filter (TZ70003/TZ70033), care set for fully-automatic espresso makers (TZ80004...)

iQ700, Built-In Fully Automatic Coffee Machine, black
CT718L1B0

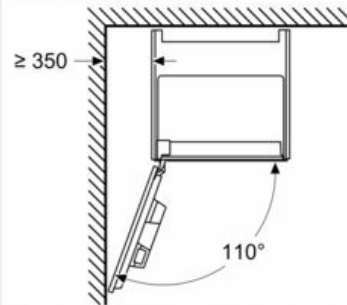
Dimensioned drawings

Measurements in mm



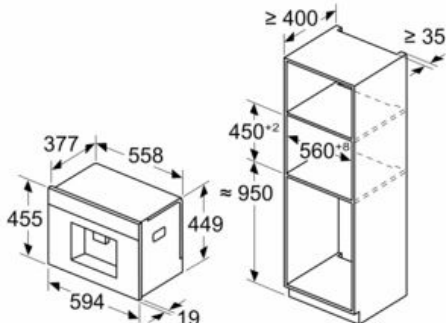
A: 7.5 mm

Measurements in mm
Left corner installation



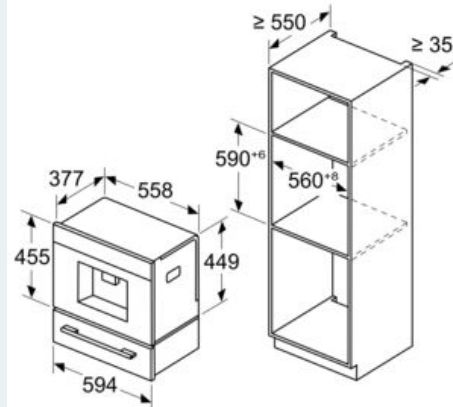
If using the 92° hinge limiter, the min. distance to the wall is only 100 mm

Measurements in mm

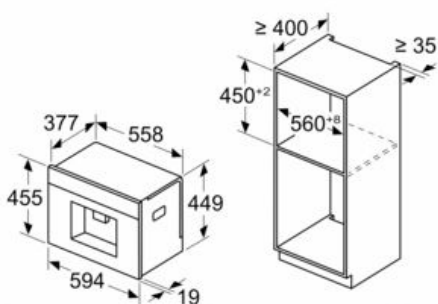


Bean and water containers are removed from the front
Recommended installation height 950–1450 mm

Measurements in mm



Measurements in mm



Bean and water containers are removed from the front
Recommended installation height 950–1450 mm