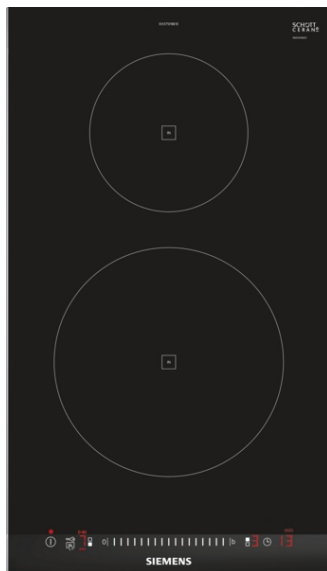


iQ100, Domino induction hob, 30 cm EH375FBB1E



The induction cooktop – faster, safer, cleaner, more efficient cooking.

- ✓ The 30 cm wide cooktop is ideal for combining with other Domino or faceted design cooktops.
- ✓ Allows to control the temperature by entering it directly or by moving the slider with a single finger - touchSlider Control.
- ✓ powerBoost – Increases the power of an induction zone by up to 50%.
- ✓ Safely shuts off the cooking zone - Timer with switch-off function.
- ✓ Safely prevents unintentional switch-on - Child safety lock.

Features

Technical Data

Product name/family : Vario/Domino cooking zone cera

Product name/family : Vario/Domino cooking zone cera

Built-in / Free-standing : Built-in

Built-in / Free-standing : Built-in

Energy input : Electric

Energy input : Electric

Total number of positions that can be used at the same time : 2

Total number of positions that can be used at the same time : 2

Min. required niche size for installation (HxWxD) : 51 x 270 x 490-500 mm

Min. required niche size for installation (HxWxD) : 51 x 270 x 490-500 mm

Width of the appliance : 302 mm

Width of the appliance : 302 mm

Dimensions : 51 x 302 x 520 mm

Dimensions : 51 x 302 x 520 mm

Dimensions of the packed product (HxWxD) : 110 x 370 x 573 mm

Dimensions of the packed product (HxWxD) : 110 x 370 x 573 mm

Net weight : 7.6 kg

Net weight : 7.6 kg

Gross weight : 7.6 kg

Gross weight : 7.6 kg

Residual heat indicator : yes

Residual heat indicator : yes

Location of control panel : Hob front

Location of control panel : Hob front

Basic surface material : Ceramic

Basic surface material : Ceramic

Color of surface : Alu, brushed, Black

Color of surface : Alu, brushed, Black

Length electrical supply cord : 110 cm

Length electrical supply cord : 110 cm

EAN code : 4242003691731

EAN code : 4242003691731

Voltage : 220-240 V

Voltage : 220-240 V

Frequency : 60; 50 Hz

Frequency : 60; 50 Hz

Optional accessories

HZ9SE060	6 pieces Set
HZ9SE040	4 pieces Set
HZ9SE030	Set of 2 pots and 1 pan
HZ394301	Connecting strip
HZ390090	Wok Set consisting of 3 Items



4 242003 691731

iQ100, Domino induction hob, 30 cm EH375FBB1E

Features

- 30 cm: space for 2 pots or pans.

Flexibility of cooking zones

- Cooking zone front middle: 210 mm, 2.2 KW (max. power 3.7 KW)
- Cooking zone rear middle: 145 mm, 1.4 KW (max. power 2.2 KW)

Usage convenience

- touchSlider: directly control the power with imprinted touch bar.
- 17 power levels: precisely adapt the heat with 17 power levels (9 main levels and 8 intermediate levels).
- Switch off timer for every cooking zone
- : switches off the cooking zone at the end of the time set (e.g. for boiled eggs).
- Count-down timer
- : an alarm sounds at the end of the time set (e.g. for pasta).
- Count-up timer
- : shows how much time has passed since starting the timer (e.g. for potatoes).

Time saving & efficiency

- powerBoost for all zones: boil water more quickly thanks to 50% more energy than at the highest standard level.
- quickStart Function: when switching on, the hob automatically selects the cooking zone with cookware (placed in off-mode).
- reStart Function: in case of unintentional switch-off, restore all previous settings by switching on the hob again within 4 seconds.

Design

- Frame: finely bevelled glass in the front and metal trims applied on the sides.

Safety

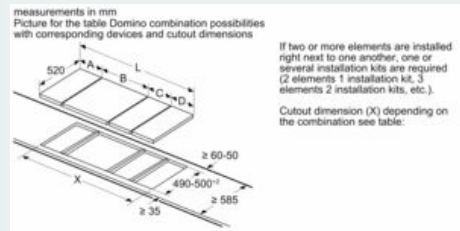
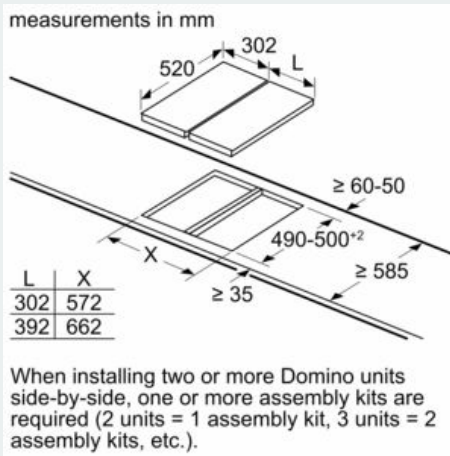
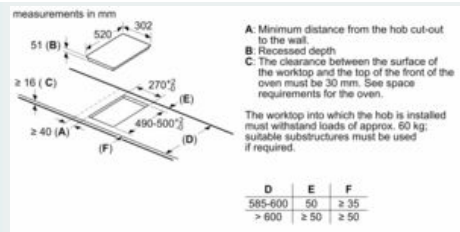
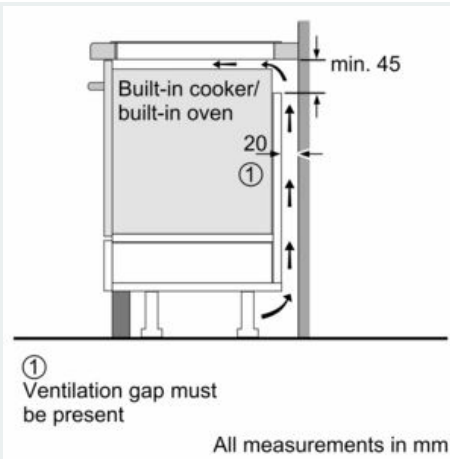
- Residual heat indicator (2 stage): indicates which cooking zones are still hot or warm.
- Childproof lock: prevent unintended activation of the hob.
- Wipe protection function: wipe overboiled liquids without unintentionally changing settings (blocking all touch buttons for 30 seconds).
- Main Switch: switch off all cooking zones at the touch of a button.
- Safety switch-off: for safety reasons, heating stops after a preset time without interaction (customizable).
- Energy consumption display: shows the electricity consumption of the last cooking process.

Installation

- Dimensions of the product (HxWxD mm): 51 x 302 x 520
- Required niche size for installation (HxWxD mm) : 51 x 270 x (490 - 500)
- Min. worktop thickness: 16 mm
- Connected load: 3700 W
- powerManagement function: limit the maximum power if needed (depends on fuse protection of electric installation).
- Power cord: 1.1 m without plug, connected directly (electrical connection by electrician necessary)

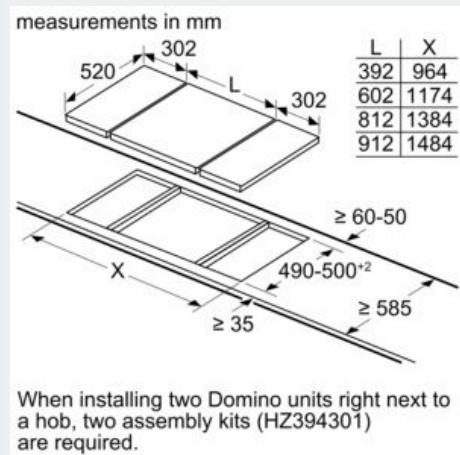
iQ100, Domino induction hob, 30 cm
EH375FBB1E

Dimensioned drawings



measurements in mm
Domino combination options with corresponding appliance and cut-out dimensions

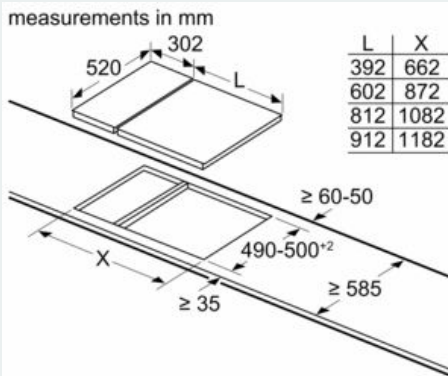
Width category:	30	40	60	70	80	90
Appliance width:	302	392	602	710	812	912
	A	B	C	D	L	X
2x30	302	302	-	-	604	572
1x30, 1x40	302	392	-	-	694	662
1x30, 1x60	302	602	-	-	904	872
1x30, 1x70*	302	710	-	-	1012	980
1x30, 1x80	302	812	-	-	1114	1082
1x30, 1x90	302	912	-	-	1214	1182
2x40	392	392	-	-	784	752
1x40, 1x60	392	602	-	-	994	962
1x40, 1x70*	392	710	-	-	1102	1070
1x40, 1x80	392	812	-	-	1204	1172
1x40, 1x90	392	912	-	-	1304	1272
3x30	302	302	302	-	906	874
2x30, 1x40	302	302	392	-	996	964
2x30, 1x60	302	302	602	-	1206	1174
2x30, 1x70*	302	302	710	-	1314	1282
2x30, 1x80	302	302	812	-	1416	1384
2x30, 1x90	302	302	912	-	1516	1484
1x30, 2x40	302	392	392	-	1086	1054
1x30, 1x40, 1x60	302	392	602	-	1296	1264
1x30, 1x40, 1x70*	302	392	710	-	1404	1372
1x30, 1x40, 1x80	302	392	812	-	1506	1474
1x30, 1x40, 1x90	302	392	912	-	1606	1574
3x40	392	392	392	-	1176	1144
2x40, 1x60	392	392	602	-	1386	1354
4x30	302	302	302	302	1208	1176
3x30, 1x40	302	302	302	392	1298	1266
2x30, 2x40	302	302	392	392	1388	1356
1x30, 3x40	302	392	392	392	1478	1446
1x30, 1x75	302	750	-	-	1052	1016
1x40, 1x75	392	750	-	-	1142	1106
2x30, 1x75	302	302	750	-	1354	1318
1x30, 1x40, 1x75	302	392	750	-	1444	1408



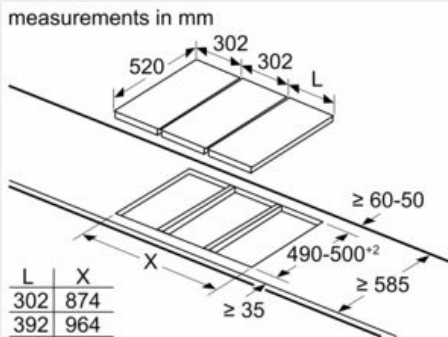
* Not possible with 70 cm induction hob

iQ100, Domino induction hob, 30 cm EH375FBB1E

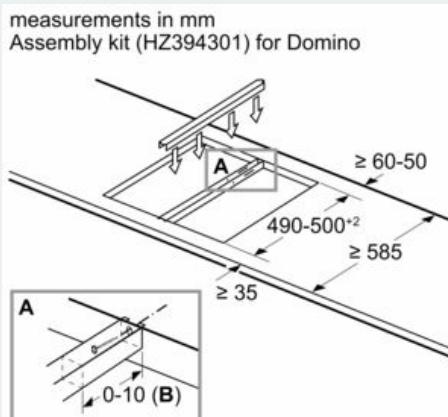
Dimensioned drawings



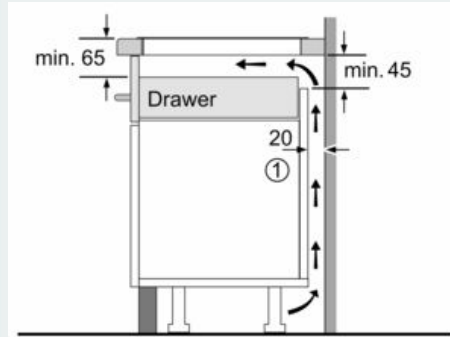
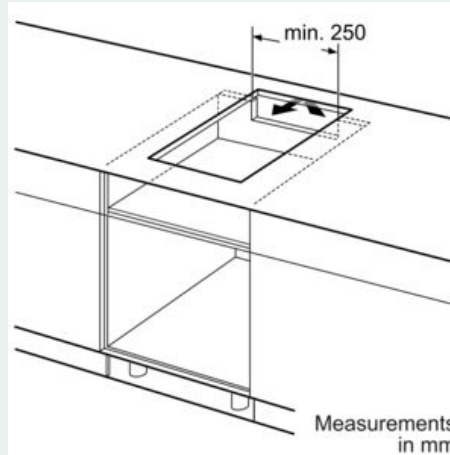
When installing a Domino unit right next to a hob, an assembly kit (HZ394301) is required.



When installing two or more Domino units side-by-side, one or more assembly kits are required (2 units = 1 assembly kit, 3 units = 2 assembly kits, etc.).

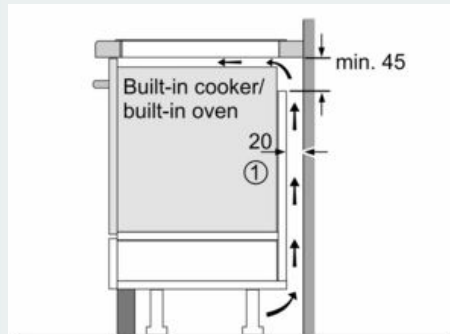


B: Dependent on the cut-out depth



① Ventilation gap must be present.

Measurements in mm



① Ventilation gap must be present

All measurements in mm