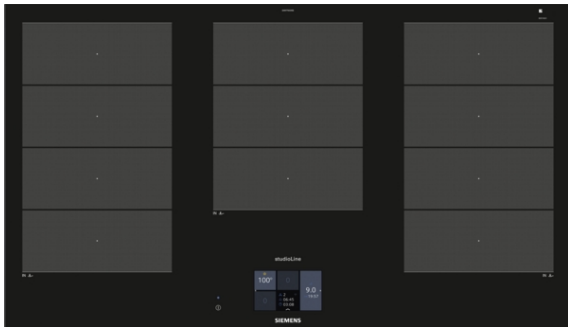


**iQ700, Flex induction hob, 90 cm, Black EX977KXX5E**



The modern induction cooktop – no more overcooking, no more burning, thanks to cookingSensor and fryingSensor Plus.

- ✓ flexInduction – Smart cooking zone that adapts to your cookware.
- ✓ For easy operation and good readability from any perspective - TFT Touchdisplay.
- ✓ Home Connect: Information about your cooktop, no matter where you are via smartphone or tablet.
- ✓ Precisely maintaining the chosen temperature to avoid overboiling – cookingSensor Plus.
- ✓ fryingSensor Plus – No more burning or scorching your meals.

**Features**

**Technical Data**

Product name/family : Cooking zone ceramic  
 Construction type : Built-in  
 Energy input : Electric  
 Total number of positions that can be used at the same time : 5  
 Min. required niche size for installation (HxWxD) : 51 x 880-880 x 490-500 mm  
 Width of the appliance : 912 mm  
 Dimensions : 51 x 912 x 520 mm  
 Dimensions of the packed product (HxWxD) : 126 x 1073 x 608 mm  
 Net weight : 20.2 kg  
 Gross weight : 24.0 kg  
 Residual heat indicator : yes  
 Location of control panel : Hob front  
 Color of surface : Black  
 Length electrical supply cord : 110 cm  
 EAN code : 4242003838167  
 Electrical connection rating : 11100 W  
 Voltage : 220-240 V  
 Frequency : 50; 60 Hz

**Included accessories**

- 1 x adjustment strip 750 - 780 mm
- 1 x wireless temperature sensor for cooktop

**Optional accessories**

HZ9SE060 : 6 pieces Set, HZ9SE040 : 4 pieces Set, HZ9SE030 : Set of 2 pots and 1 pan, HZ9ES100 : Espresso maker 4 cups, HZ394301 : Connecting strip, HZ390522 : Griddle Plate, HZ390512 : Teppan Yaki (large), HZ39050 : Wireless temperature sensor for cooktop, HZ390230 : System pan diameter 21cm, HZ390220 : System pan diameter 19 cm, HZ390210 : System pan diameter 15 cm, HZ390090 : Wok Set consisting of 3 Items, HZ390012 : Steaming Rack for Stainless Steel roaste, HZ390011 : Stainless Steel roaster with glas lid



**2E20AD-  
idibgh!**

## iQ700, Flex induction hob, 90 cm, Black EX977KXX5E

### Features

- 90 cm: space for 5 pots or pans.

#### Flexibility of cooking zones

- 3 Flex Zones: use cookware of any shape or size anywhere within the 40cm long zone.
- Cooking zone front left: 200 mm, 240 mm, 2.2 KW (max. power 3.7 KW)
- Cooking zone rear left: 200 mm, 240 mm, 2.2 KW (max. power 3.7 KW)
- Cooking zone rear middle: 240 mm, 300 mm, 2.6 KW (max. power 3.7 KW)
- Cooking zone rear right: 200 mm, 240 mm, 2.2 KW (max power 3.7 KW)
- Cooking zone front right: 200 mm, 240 mm, 2.2 KW (max. power 3.7 KW)

#### Usage convenience

- FullTouch TFT Display: easily operate the hob using the touch display and explore all available functions thanks to full-text information and images.
- 17 power levels: precisely adapt the heat with 17 power levels (9 main levels and 8 intermediate levels).
- Keep warm function for all cooking zones: keep dishes warm at preset low power level.
- Switch off timer for every cooking zone
- : switches off the cooking zone at the end of the time set (e.g. for boiled eggs).
- Count-down timer
- : an alarm sounds at the end of the time set (e.g. for pasta).
- Count-up timer
- : shows how much time has passed since starting the timer (e.g. for potatoes).

#### Time saving & efficiency

- powerBoost for all zones: boil water more quickly thanks to 50% more energy than at the highest standard level.
- panBoost: heat up pans more quickly than at the highest standard level while protecting the pan coating.
- powerMove Plus (3 levels): increase or decrease the power level simply by moving the pot forwards or backwards.
- flexMotion: when moving a pot to a different cooking zone, transfer all previous settings to the new zone at the touch of a button.
- quickStart Function: when switching on, the hob automatically selects the cooking zone with cookware (placed in off-mode).
- reStart Function: in case of unintentional switch-off, restore all previous settings by switching on the hob again within 4 seconds.

#### Cooking assistance

- Meal assistant: easily find the right temperature setting for a certain dish in the touch display.
- cookingSensor Plus: prevents overboiling of pots with the automatic temperature regulation of the pot-attached sensor.
- fryingSensor with 5 frying levels: prevents scorching with the automatic temperature regulation of the integrated sensor.

#### Connectivity

- Home Connect (only in countries where Home Connect service is available): check if the hob is switched off even when not at home, and find recipes or additional functions in the Home Connect app.

- cookConnect system (with matching hood): automatically activates the hood when cooking, thanks to the WiFi connection of hob and suitable hood.

#### Design

- Side profiles, Studio Line, black design
- studioLine exclusive zone printing: minimalistic design thanks to dark colour of zone printing.

#### Safety

- Residual heat indicator (2 stage): indicates which cooking zones are still hot or warm.
- Childproof lock: prevent unintended activation of the hob.
- Wipe protection function: wipe overboiled liquids without unintentionally changing settings (blocking all touch buttons for 30 seconds).
- Main Switch: switch off all cooking zones at the touch of a button.
- Safety switch-off: for safety reasons, heating stops after a preset time without interaction (customizable).
- Energy consumption display: shows the electricity consumption of the last cooking process.

#### Installation

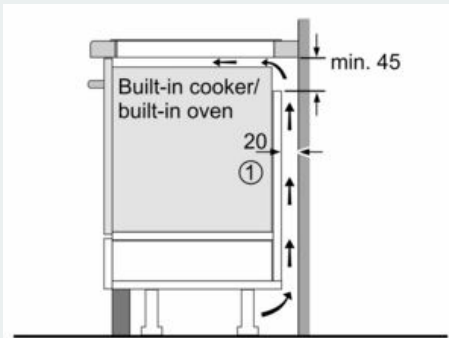
- Dimensions of the product (HxWxD mm): 51 x 912 x 520
- Required niche size for installation (HxWxD mm) : 51 x 880 x (490 - 500)
- Min. worktop thickness: 16 mm
- Connected load: 11100 W
- powerManagement function: limit the maximum power if needed (depends on fuse protection of electric installation).
- Power cord: 1.1 m without plug, loose insert in packaging (electrical connection by electrician necessary)

#### Accessories

- wireless temperature sensor for cooktop, adjustment strip 750 - 780 mm included

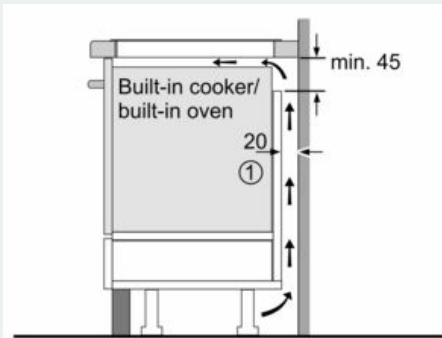
## iQ700, Flex induction hob, 90 cm, Black EX977KXX5E

### Dimensioned drawings



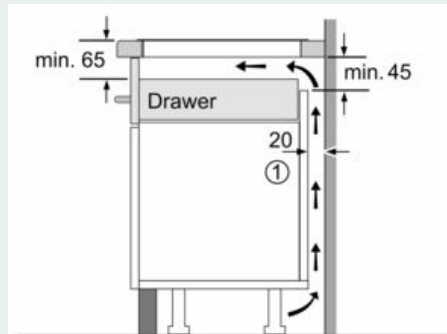
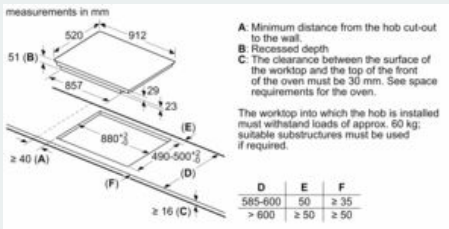
①  
Ventilation gap must  
be present

All measurements in mm



①  
Ventilation gap must  
be present

All measurements in mm



①  
Ventilation gap must  
be present.

Measurements in mm

