

iQ500, Built-in oven, 60 x 60 cm, Stainless steel HB337A0S0



Shorten your cooking time thanks to fastPreheat.

- ✓ Reach the required baking temperature sooner - fastPreheat.
- ✓ Cut down on oven cleaning – ecoClean.
- ✓ Automatic programs ensure best results - cookControl10.
- ✓ 3D hotAir – Even heat distribution on up to three levels for excellent results.
- ✓ Maximum flexibility thanks to easy mounting of the telescopic rails at any level - varioClip rails.

Features

Technical Data

Color / Material Front : Stainless steel
 Built-in / Free-standing : Built-in
 Integrated Cleaning system : Catalytic partial, Hydrolytic
 Min. required niche size for installation (HxWxD) : 585-595 x 560-568 x 550 mm
 Dimensions : 595 x 594 x 548 mm
 Dimensions of the packed product (HxWxD) : 675 x 690 x 660 mm
 Control Panel Material : Glass
 Door Material : Glass
 Net weight : 34.2 kg
 Usable volume of cavity : 71 l
 Heating modes: : Bottom heat, Full width grill, Hot Air, Hotair gentle, Hot air grilling, Pizza setting, Top/bottom heat
 First cavity material : Other
 Oven control : mechanical
 Number of interior lights : 1
 Length electrical supply cord : 120 cm
 EAN code : 4242003799031
 Number of cavities (2010/30/EC) : 1
 Energy efficiency class (2010/30/EC) : A
 Energy consumption per cycle conventional (2010/30/EC) : 0.97 kWh/cycle
 Energy consumption per cycle forced air convection (2010/30/EC) : 0.81 kWh/cycle
 Energy efficiency index (2010/30/EC) : 95.3 %
 Connection Rating : 3600 W
 Fuse protection : 16 A
 Voltage : 220-240 V
 Frequency : 50; 60 Hz
 Plug type : Gardy plug w/ earthing
 Included accessories : 1 x combination grid, 1 x universal pan

Included accessories

- 1 x combination grid
- 1 x universal pan

Optional accessories

HZG0AS00 : Connecting cable 3m , HZ915003 : Glass roasting dish, 5,4 L , HZ638300 : 3 level telescopic rails, full ext , HZ638200 : 2 level telescopic shelf rails, full ext , HZ638000 : Full ext rails, level independent , HZ634000 : Baking and roasting grid (standard) , HZ538500 : 3level telescopic rails incl 1 varioClip , HZ538200 : 2 level telescopic shelf rails , HZ538000 : varioClip rail , HZ532010 : Universal pan, non-stick ceramic coated , HZ532000 : Multipurpose pan, grey enamelled , HZ531010 : Baking tray, non-stick ceramic coated , HZ531000 : Baking tray, grey enamelled , HZ327000 : Baking stone , HZ317000 : Pizza pan, grey enamelled



iQ500, Built-in oven, 60 x 60 cm, Stainless steel HB337A0S0

Features

Type of oven / heating system:

- Oven with 7 heating methods: 3D hotAir Plus, Conventional heat, hotAir grilling, Full width grill, Pizza setting, Bottom heat, hotAir gentle
- Temperature range 50 °C - 275 °C
- Cavity volume: 71 l

Hook-in racks / rails

- Number of shelf levels: 5 PC
- varioClip rails, with Stop function

Design:

- Rotary Control, Retractable controls
- Cavity inner surface: enamel

Cleaning:

- ecoClean: coating of back panel
- humidClean (manually)
- Full glass inner door

Comfort:

- LCD Display (white)
- electronic clock
- automatic start
- Optical temperature control
- cookControl 10
- Bar handle
- Supporting systems: Programs
- fastPreheat
- Halogen interior lighting
- Integral cooling fan

Accessory:

- 1 x combination grid, 1 x universal pan

Environment and Safety:

- Low door temperature
- Triple glazed door with heat reflective glass glazed CoolTouch door
- Child lock
-

Technical Information

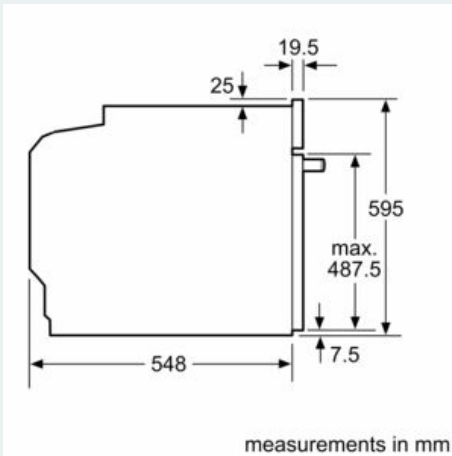
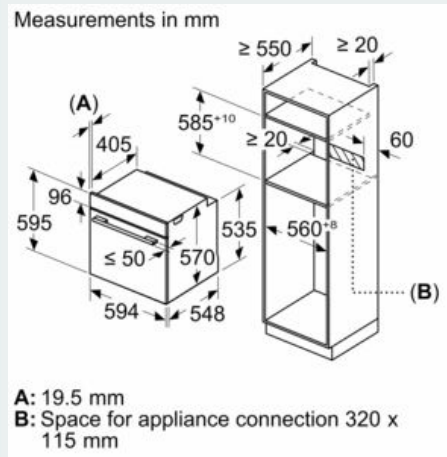
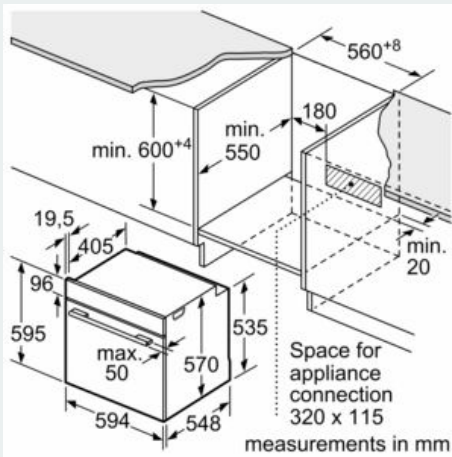
- Length of mains cable: 120 cm
- Nominal voltage: 220 - 240 V
- Total connected load electric: 3.6 KW
- Energy efficiency rating (acc. EU Nr. 65/2014): A(at a range of energy efficiency classes from A+++ to D)
- Energy consumption per cycle in conventional mode:0.97 kWh
- Energy consumption per cycle in fan-forced convection mode:0.81 kWh
- Number of cavities: 1 Heat source: electrical Cavity volume:71 l
-

Dimensions:

- Appliance dimension (HxWxD): 595 mm x 594 mm x 548 mm
- Niche dimension (HxWxD): 585 mm - 595 mm x 560 mm - 568 mm x 550 mm
- "Please reference the built-in dimensions provided in the installation drawing"

iQ500, Built-in oven, 60 x 60 cm,
Stainless steel
HB337A0S0

Dimensioned drawings



Installation with a hob.

