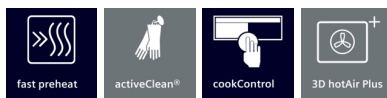


iQ300, Built-in oven, 60 x 60 cm, White HB573ABV0



Shorten your cooking time thanks to fast preheat and activeClean®.

- ✓ Reach the required baking temperature sooner - fastPreheat.
- ✓ activeClean® – The automatic, self-cleaning oven system.
- ✓ Automatic programs ensure best results - cookControl10.
- ✓ 3D hotAir Plus – Even heat distribution on up to three levels for excellent results.

Features

Technical Data

Color / Material Front : White
 Built-in / Free-standing : Built-in
 Integrated Cleaning system : Pyrolytic
 Required niche size for installation (HxWxD) : 585-595 x 560-568 x 550 mm
 Dimensions : 595 x 594 x 548 mm
 Dimensions of the packed product (HxWxD) : 675 x 690 x 660 mm
 Control Panel Material : Glass
 Door Material : Glass
 Net weight : 37.0 kg
 Usable volume of cavity : 71 l
 Heating modes : : Full width grill, Hot Air, Hotair gentle, Hot air grilling, Top/bottom heat
 First cavity material : Other
 Oven control : electronic
 Number of interior lights : 1
 Approval certificates : CE, VDE
 Length electrical supply cord : 120 cm
 EAN code : 4242003799369
 Number of cavities (2010/30/EC) : 1
 Energy efficiency class (2010/30/EC) : A
 Energy consumption per cycle conventional (2010/30/EC) : 0.99 kWh/cycle
 Energy consumption per cycle forced air convection (2010/30/EC) : 0.81 kWh/cycle
 Energy efficiency index (2010/30/EC) : 95.3 %
 Connection Rating : 3600 W
 Fuse protection : 16 A
 Voltage : 220-240 V
 Frequency : 50; 60 Hz
 Plug type : Gardy plug w/ earthing

Included accessories

- 1 x combination grid
- 1 x universal pan

Optional accessories

- HZ538000 varioClip rail



iQ300, Built-in oven, 60 x 60 cm, White HB573ABV0

Features

Type of oven / heating system:

- Oven with 5 heating methods: 3D hotAir Plus, Conventional heat, hotAir grilling, Full width grill, hotAir gentle
- Temperature range 50 °C - 275 °C
- Cavity volume: 71 l

Hook-in racks / rails

- Number of shelf levels: 5 PC
- Telescopic shelf rails as optional accessory

Design:

- Rotary Control
- Cavity inner surface: enamel grey

Cleaning:

- activeClean®
- Full glass inner door

Comfort:

- LED Display (red)
- electronic clock
- automatic start
- Optical temperature control
- cookControl 10
- Bar handle
- Supporting systems: Programs
- fastPreheat
- Halogen interior lighting, Independent oven interior light button
- Integral cooling fan

Accessory:

- combination grid, universal pan

Environment and Safety:

- Very low door temperature
- Low door temperature during pyrolytic cleaning
- Automatic door lock during pyrolysis
- Child lock

Technical Information

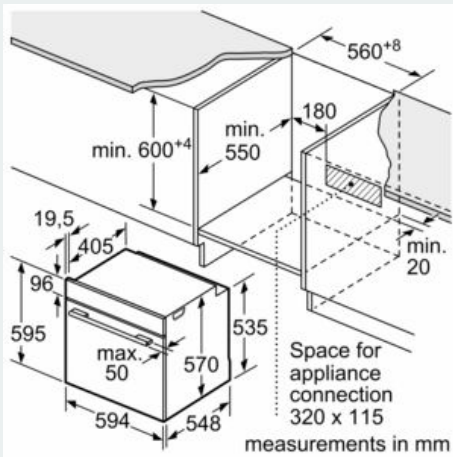
- Length of mains cable: 120 cm
- Nominal voltage: 220 - 240 V
- Total connected load electric: 3.6 KW
- Energy efficiency rating (acc. EU Nr. 65/2014): A(at a range of energy efficiency classes from A+++ to D)
- Energy consumption per cycle in conventional mode:0.99 kWh
- Energy consumption per cycle in fan-forced convection mode:0.81 kWh
- Number of cavities: 1 Heat source: electrical Cavity volume:71 l
-

Dimensions:

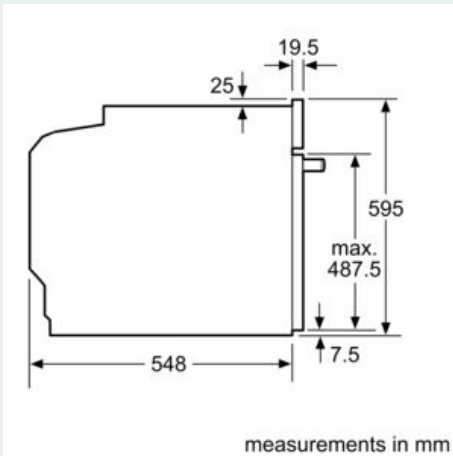
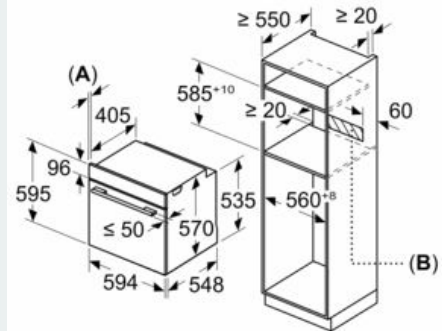
- Appliance dimension (hxwxh): 595 mm x 594 mm x 548 mm
- Niche dimension (hxwxh): 585 mm - 595 mm x 560 mm - 568 mm x 550 mm
- "Please reference the built-in dimensions provided in the installation drawing"
- We recommend you to choose complementary products within IQ300, in order to assure an optimal design combination of your Built-In appliances.

iQ300, Built-in oven, 60 x 60 cm, White
HB573ABV0

Dimensioned drawings



Measurements in mm



Installation with a hob.

