

## iQ500, Built-in oven, 60 x 60 cm, Stainless steel HB579GBS0



Shorten your cooking time thanks to fast preheat, coolStart and activeClean®.

- ✓ fastPreheat – Heat the oven quickly. coolStart – Eliminate preheating for frozen foods.
- ✓ activeClean® – The automatic, self-cleaning oven system.
- ✓ Automatic programs ensure best results - cookControl40.
- ✓ TFT-Display: clear text display and intuitive operation.
- ✓ 3D hotAir – Even heat distribution on up to three levels for excellent results.

### Features

#### Technical Data

Color / Material Front : Stainless steel  
 Built-in / Free-standing : Built-in  
 Integrated Cleaning system : Pyrolytic+Hydrolytic  
 Min. required niche size for installation (HxWxD) : 585-595 x 560-568 x 550 mm  
 Dimensions : 595 x 594 x 548 mm  
 Dimensions of the packed product (HxWxD) : 670 x 680 x 660 mm  
 Control Panel Material : Glass  
 Door Material : Glass  
 Net weight : 38.5 kg  
 Usable volume of cavity : 71 l  
 Heating modes: : Bottom heat, Deep-frozen food special, Full width grill, Gentle heating, Half width grill, Hot Air, Hotair gentle, Hot air grilling, Intensive heat, Keep warm, Pizza setting, pre-heating, Top/ bottom heat  
 First cavity material : Other  
 Oven control : electronic  
 Number of interior lights : 1  
 Length electrical supply cord : 120 cm  
 EAN code : 4242003869703  
 Number of cavities (2010/30/EC) : 1  
 Energy efficiency class (2010/30/EC) : A  
 Energy consumption per cycle conventional (2010/30/EC) : 0.99 kWh/ cycle  
 Energy consumption per cycle forced air convection (2010/30/EC) : 0.81 kWh/cycle  
 Energy efficiency index (2010/30/EC) : 95.3 %  
 Connection Rating : 3600 W  
 Fuse protection : 16 A  
 Voltage : 220-240 V  
 Frequency : 50; 60 Hz  
 Plug type : Gardy plug w/ earthing  
 Included accessories : 1 x enamel baking tray, 1 x combination grid, 1 x universal pan

#### Included accessories

- 1 x enamel baking tray
- 1 x combination grid
- 1 x universal pan

#### Optional accessories

HZG0AS00 : Connecting cable 3m , HZ915003 : Glass roasting dish, 5,4 L , HZ66X650 : Cover Strip , HZ664000 : Baking and roasting grid (steam) , HZ638300 : 3 level telescopic rails, full ext , HZ638200 : 2 level telescopic shelf rails, full ext , HZ638000 : Full ext rails, level independent , HZ636000 : Glass pan , HZ634000 : Baking and roasting grid (standard) , HZ633070 : Professional pan, anthracite enamelled , HZ633001 : Lid for professional pan, enamelled anth , HZ625071 : Grill tray, anthracite enamelled , HZ538500 : 3level telescopic rails incl 1 varioClip , HZ538200 : 2 level telescopic shelf rails , HZ538000 : varioClip rail , HZ533000 : Professional pan, grey enamelled , HZ532010 : Universal pan, non-stick ceramic coated , HZ532000 : Multipurpose pan, grey enamelled , HZ531010 : Baking tray, non-stick ceramic coated , HZ531000 : Baking tray, grey enamelled , HZ333001 : Lid for professional pan , HZ327000 : Baking stone , HZ317000 : Pizza pan, grey enamelled



## iQ500, Built-in oven, 60 x 60 cm, Stainless steel HB579GBS0

### Features

#### Type of oven / heating system:

- Oven with 13 heating methods: 3D hotAir Plus, Conventional heat, hotAir grilling, Full width grill, Half width grill, Pizza setting, coolStart, Bottom heat, Intensive heat, Gentle heating, Plate warming setting, Keep warm, hotAir gentle
- Temperature range 30 °C - 275 °C
- Cavity volume: 71 l

#### Hook-in racks / rails

- Number of shelf levels: 5 PC
- Telescopic shelf rails as optional accessory

#### Design:

- Rotary Control
- Cavity inner surface: enamel

#### Cleaning:

- activeClean®
- humidClean (manually)
- Full glass inner door

#### Comfort:

- TFT Touchdisplay Plus (white)
- electronic clock
- Temperature proposal
- automatic start Actual temperature display Optical temperature control
- cookControl 40
- Drop down door
- Bar handle
- Supporting systems: Programs
- fastPreheat
- coolStart
- Halogen interior lighting, Independent oven interior light button
- Integral cooling fan
- Info button

#### Accessory:

- 1 x enamel baking tray, 1 x combination grid, 1 x universal pan

#### Environment and Safety:

- Very low door temperature
- Low door temperature during pyrolytic cleaning
- Quadruple glazed door with heat reflective glass glazed CoolTouch door
- Automatic door lock during pyrolysis
- Child lock Residual heat indicator Door contact switch

#### Technical Information

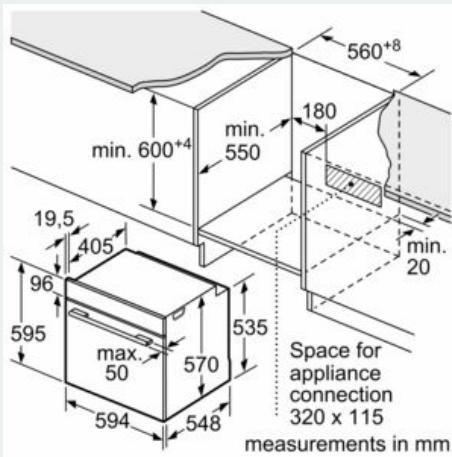
- Length of mains cable: 120 cm
- Nominal voltage: 220 - 240 V
- Total connected load electric: 3.6 KW
- Energy efficiency rating (acc. EU Nr. 65/2014): A(at a range of energy efficiency classes from A+++ to D)
- Energy consumption per cycle in conventional mode:0.99 kWh
- Energy consumption per cycle in fan-forced convection mode:0.81 kWh
- Number of cavities: 1 Heat source: electrical Cavity volume:71 l
- 

#### Dimensions:

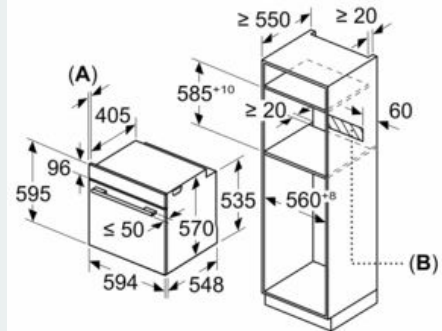
- Appliance dimension (HxWxD): 595 mm x 594 mm x 548 mm
- Niche dimension (HxWxD): 585 mm - 595 mm x 560 mm - 568 mm x 550 mm
- "Please reference the built-in dimensions provided in the installation drawing"
- We recommend you to choose complementary products within IQ500, in order to assure an optimal design combination of your Built-In appliances.

iQ500, Built-in oven, 60 x 60 cm,  
Stainless steel  
HB579GBS0

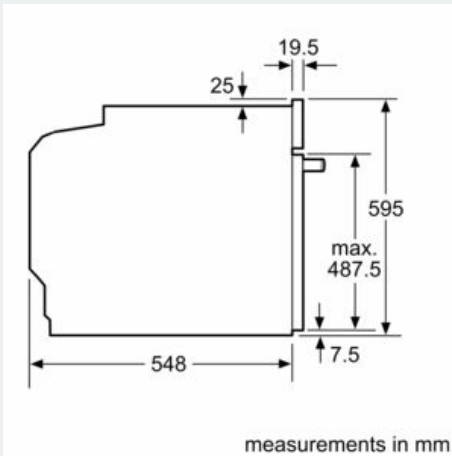
Dimensioned drawings



Measurements in mm



- A: 19.5 mm
- B: Space for appliance connection 320 x 115 mm



Installation with a hob.

