

iQ700, Built-in oven with microwave function, 60 x 60 cm, Black HM778GMB1



The intelligent varioSpeed microwave oven with Oven Assistant with Voice Control for intuitive programme setting and activeClean for effortless oven cleaning.

- ✓ TFT-Touchdisplay Pro – Large colour touch display for comfortable operation.
- ✓ cookControl Pro – Excellent results, whatever the recipe or circumstances.
- ✓ Oven Assistant with Voice Control – Intuitively set the right programme.
- ✓ humidClean Plus - For fast cleaning dirt is softened beforehand by vaporizing soapy water. It can then be removed more easily.
- ✓ Home Connect with Remote Control – Unlock the full potential of your smart oven.

Features

Technical Data

Type of micro-wave oven : MW-Combi
 Type of control : Electronic
 Color / Material Front : Black
 Dimensions : 595 x 594 x 548 mm
 Cavity dimensions : 357.0 x 480 x 392.0 mm
 Length electrical supply cord : 120.0 cm
 Net weight : 46.2 kg
 Gross weight : 49.7 kg
 EAN code : 4242003902264
 Maximum micro-wave power : 800 W
 Connection Rating : 3600 W
 Fuse protection : 16 A
 Voltage : 220-240 V
 Frequency : 50; 60 Hz
 Plug type : Gardy plug w/ earthing
 Cavity dimensions : 357.0 x 480 x 392.0 mm
 Included accessories : 1 x enamel baking tray, 1 x combination grid, 1 x universal pan



Included accessories

- 1 x enamel baking tray
- 1 x combination grid
- 1 x universal pan

Optional accessories

HZ915003 : Glass roasting dish, 5,4 L , HZ636000 : Glass pan , HZ634000 : Baking and roasting grid (standard) , HZ633070 : Professional pan, anthracite enamelled , HZ633001 : Lid for professional pan, enamelled anth , HZ632070 : Multipurpose pan, anthracite enamelled , HZ631070 : Baking tray, anthracite enamelled , HZ629070 : Air Fry & Grill tray, anthracite , HZ617000 : Pizza pan, anthracite enamelled , HZ532010 : Universal pan, non-stick ceramic coated , HZ531010 : Baking tray, non-stick ceramic coated , HZ327000 : Baking stone

iQ700, Built-in oven with microwave function, 60 x 60 cm, Black HM778GMB1

Features

Type of oven / heating system:

- Oven with microwave with 21 heating methods: 4D hotAir, Conventional heat, hotAir grilling, Full width grill, Half width grill, Pizza setting, coolStart, Bottom heat, Intensive heat, Gentle heating, Plate warming setting, Desiccation, Keep warm, hotAir gentle, Conventional heat gentle, microwave, 4D hotair + microwave, Top/bottom heat + microwave, grill + microwave, half width grill + microwave, hotair grilling + microwave
- Max. Power: 800 W; 5 Microwave power settings (90 W, 180 W, 360 W, 600 W, boost) with Inverter (MW)
- Intelligent inverter technology: maximum output power will be regulated to 600 W when used in longer operation
- Temperature range 30 °C - 300 °C
- Cavity volume: 67 l

Hook-in racks / rails

- Number of shelf levels: 5 PC
- 1 level telescopic shelf, pyrolytic proof

Design:

- Touchcontrol
- Cavity inner surface: enamel

Cleaning:

- activeClean®
- humidClean Plus

Comfort:

- Oven Assistant with Voice Control
- TFT-Touchdisplay Pro
- electronic clock
- Temperature proposal
- Actual temperature display Optical temperature control
- Drop down door
- softMove for gentle opening and closing of the oven door
- cookControl Pro
- roastingSensor Plus
- fastPreheat
- coolStart
- LED illumination, Independent oven interior light button
- Integral cooling fan
- Home Connect ready on Wi-Fi

Accessory:

- 1 x enamel baking tray, 1 x combination grid, 1 x universal pan

Environment and Safety:

- Very low door temperature
- Quadruple glazed door with heat reflective glass glazed CoolTouch door
- Automatic door lock during pyrolysis
- Child lock Residual heat indicator Start-/Stop button Door contact switch

Technical Information

- Length of mains cable: 120 cm
- Nominal voltage: 220 - 240 V
- Total connected load electric: 3.6 KW

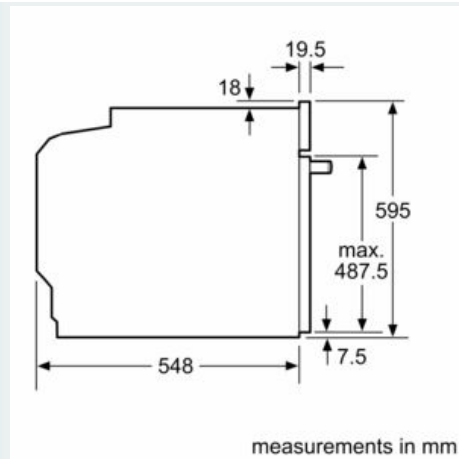
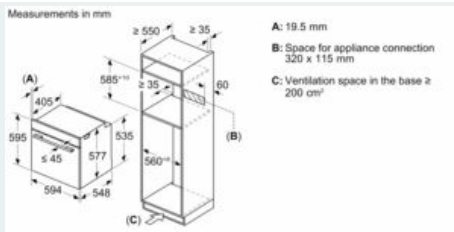
Dimensions:

- Appliance dimension (HxWxD): 595 mm x 594 mm x 548 mm

- Niche dimension (HxWxD): 585 mm - 595 mm x 560 mm - 568 mm x 550 mm
- "Please reference the built-in dimensions provided in the installation drawing"

iQ700, Built-in oven with microwave function, 60 x 60 cm, Black HM778GMB1

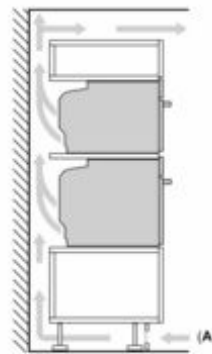
Dimensioned drawings



If the appliance will be installed underneath a hob, the following worktop thicknesses (including substructure if necessary) must be taken into account.

Hob type	min. worktop thickness	
	fitted	flush
Induction hob	37 mm	38 mm
Full surface Induction hob	47 mm	48 mm
Gas hob	30 mm	38 mm
Electric hob	27 mm	30 mm

Installing two appliances on top of each other
Air exchange



A: Air inlet $\geq 200 \text{ cm}^2$

