

## iQ700, Built-in oven with steam function, 60 x 60 cm, Black HS958GCB1



The intelligent fullSteam Plus oven with Oven Assistant with Voice Control for intuitive programme setting and roastingSensor Plus for excellent results.

- ✓ TFT-Touchdisplay Pro – Large colour touch display for comfortable operation.
- ✓ cookControl Pro – Excellent results, whatever the recipe or circumstances.
- ✓ Oven Assistant with Voice Control – Intuitively set the right programme.
- ✓ Far less oven cleaning – ecoClean Plus.
- ✓ humidClean Plus - For fast cleaning dirt is softened beforehand by vaporizing soapy water. It can then be removed more easily.

### Features

#### Technical Data

Color / Material Front : Black  
 Built-in / Free-standing : Built-in  
 Door opening : Drop down  
 Min. required niche size for installation (HxWxD) : 585-595 x 560-568 x 550 mm  
 Dimensions : 595 x 594 x 548 mm  
 Dimensions of the packed product (HxWxD) : 670 x 660 x 690 mm  
 Control Panel Material : Glass  
 Door Material : Glass  
 Net weight : 45.2 kg  
 Length electrical supply cord : 120 cm  
 EAN code : 4242003902684  
 Fuse protection : 16 A  
 Voltage : 220-240 V  
 Frequency : 50; 60 Hz  
 Plug type : Gardy plug w/ earthing  
 Number of cavities (2010/30/EC) : 1  
 Usable volume (of cavity) - NEW (2010/30/EC) : 71 l  
 Energy efficiency class (2010/30/EC) : A+  
 Energy consumption per cycle conventional (2010/30/EC) : 0.87 kWh/cycle  
 Energy consumption per cycle forced air convection (2010/30/EC) : 0.69 kWh/cycle  
 Energy efficiency index (2010/30/EC) : 81.2 %  
 Included accessories : 1 x enamel baking tray, 1 x grid, 1 x universal pan, 1 x steam container, punched, size XL, 1 x sponge, 1 x Steam container, punched, size M, 1 x Steam container, unpunched, size M

### Included accessories

1 x enamel baking tray, 1 x grid, 1 x universal pan, 1 x steam container, punched, size XL, 1 x sponge, 1 x Steam container, punched, size M, 1 x Steam container, unpunched, size M

### Optional accessories

HZG0AS00 : Connecting cable 3m , HZ915003 : Glass roasting dish, 5,4 L , HZ6BMA00 : Assembly kit for vertical installation , HZ66D52 : 2 steamcontainer(punched/unpunched)sizeM , HZ638D00 : Full ext rails, level independent, steam , HZ633070 : Professional pan, anthracite enamelled , HZ633001 : Lid for professional pan, enamelled anth , HZ632070 : Multipurpose pan, anthracite enamelled , HZ631070 : Baking tray, anthracite enamelled , HZ617000 : Pizza pan, anthracite enamelled , HZ532010 : Universal pan, non-stick ceramic coated , HZ531010 : Baking tray, non-stick ceramic coated , HZ530000 : 2 multipurpose pans, slim size



## iQ700, Built-in oven with steam function, 60 x 60 cm, Black HS958GCB1

### Features

#### Type of oven / heating system:

- Combi-steam oven with 23 heating methods: 4D hotAir, Conventional heat, hotAir grilling, Full width grill, Half width grill, Pizza setting, coolStart, Bottom heat, Intensive heat, Gentle heating, Plate warming setting, Keep warm, hotAir gentle, Conventional heat gentle, Steam, Regeneration with steam, Fermentation with steam, Defrost with steam, sous-vide cooking, hotAir grilling + steam, warming + steam, 4D hotAir + steam, Top/bottom heat + steam
- Temperature range 30 °C - 250 °C
- fullSteam Plus
- Cavity volume: 71 l

#### Hook-in racks / rails

- Number of shelf levels: 5 PC
- vario Clip rails Plus, full extension, with Stop function

#### Design:

- blackSteel application
- Touchcontrol
- studioLine Glass handle
- Cavity inner surface: enamel

#### Cleaning:

- ecoClean Plus: coating of ceiling, back panel, side liners
- humidClean Plus, ecoClean Plus program
- Full glass inner door

#### Comfort:

- Oven Assistant with Voice Control
- TFT-Touchdisplay Pro
- electronic clock
- Temperature proposal
- Actual temperature display Optical temperature control
- Drop down door
- softMove for gentle opening and closing of the oven door
- cookControl Pro
- roastingSensor Plus
- fastPreheat
- coolStart
- steamBoost - add for 3min intensive steam with a touch of a button.
- There are different steam intensities selectable: steam level high, steam level middle, steam level low
- LED illumination, Independent oven interior light button
- Water tank empty indicator
- Location of the steam generator is outside of the cavity
- Integral cooling fan
- Home Connect ready on Wi-Fi

#### Accessory:

- 1 x enamel baking tray, 1 x Steam container, punched, size M, 1 x steam container, punched, size XL, 1 x Steam container, unpunched, size M, 1 x grid, 1 x sponge, 1 x universal pan

#### Environment and Safety:

- Low door temperature
- Triple glazed door with heat reflective glass glazed CoolTouch door
- Child lock
- Residual heat indicator Start-/Stop button Door contact switch

#### Technical Information

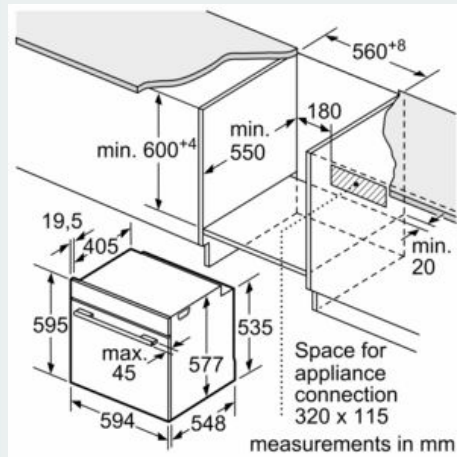
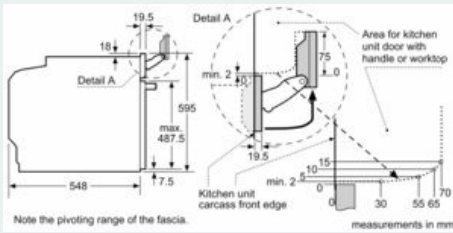
- Length of mains cable: 120 cm
- Nominal voltage: 220 - 240 V
- Total connected load electric: 3.6 KW
- Energy efficiency rating (acc. EU Nr. 65/2014): A+(at a range of energy efficiency classes from A+++ to D)
- Energy consumption per cycle in conventional mode:0.87 kWh
- Energy consumption per cycle in fan-forced convection mode:0.69 kWh
- Number of cavities: 1 Heat source: electrical Cavity volume:71 l
- 

#### Dimensions:

- Appliance dimension (HxWxD): 595 mm x 594 mm x 548 mm
- Niche dimension (HxWxD): 585 mm - 595 mm x 560 mm - 568 mm x 550 mm
- "Please reference the built-in dimensions provided in the installation drawing"

**iQ700, Built-in oven with steam function, 60 x 60 cm, Black HS958GCB1**

Dimensioned drawings



If the appliance will be installed underneath a hob, the following worktop thicknesses (including substructure if necessary) must be taken into account.

Hob type	min. worktop thickness	
	fitted	flush
Induction hob	37 mm	38 mm
Full surface Induction hob	47 mm	48 mm
Gas hob	30 mm	38 mm
Electric hob	27 mm	30 mm

