

## iQ700, Built-in oven with steam function, 60 x 60 cm, Black HS958KDB1



The intelligent fullSteam Plus oven with Oven Assistant with Voice Control and automatic door opening and roastingSensor Plus for excellent results.

- ✓ TFT-Touchdisplay Pro – Large colour touch display for comfortable operation.
- ✓ cookControl Pro – Excellent results, whatever the recipe or circumstances.
- ✓ Oven Assistant with automatic door opening – For intuitive programme setting.
- ✓ fullSteam Plus with sous-vide – For healthy and great-tasting meals.
- ✓ Home Connect with Remote Control – Unlock the full potential of your smart oven.

### Features

### Technical Data



### Included accessories

1 x enamel baking tray, 1 x grid, 1 x universal pan, 1 x steam container, punched, size XL, 1 x sponge, 1 x Steam container, punched, size M, 1 x Steam container, unpunched, size M

### Optional accessories

HZG0AS00 : Connecting cable 3m , HZ915003 : Glass roasting dish, 5,4 L , HZ6BMA00 : Assembly kit for vertical installation , HZ66D52 : 2 steamcontainer(punched/unpunched)sizeM , HZ638D00 : Full ext rails, level independent, steam , HZ633070 : Professional pan, anthracite enamelled , HZ633001 : Lid for professional pan, enamelled anth , HZ632070 : Multipurpose pan, anthracite enamelled , HZ631070 : Baking tray, anthracite enamelled , HZ629070 : Air Fry & Grill tray, anthracite , HZ617000 : Pizza pan, anthracite enamelled , HZ532010 : Universal pan, non-stick ceramic coated , HZ531010 : Baking tray, non-stick ceramic coated , HZ530000 : 2 multipurpose pans, slim size

## iQ700, Built-in oven with steam function, 60 x 60 cm, Black HS958KDB1

### Features

#### Type of oven / heating system:

- Combi-steam oven with 24 heating methods: 4D hotAir, Conventional heat, hotAir grilling, Full width grill, Half width grill, Pizza setting, coolStart, Bottom heat, Intensive heat, Gentle heating, Plate warming setting, Desiccation, Keep warm, hotAir gentle, Conventional heat gentle, Steam, Regeneration with steam, Fermentation with steam, Defrost with steam, sous-vide cooking, hotAir grilling + steam, warming + steam, 4D hotAir + steam, Top/ bottom heat + steam
- Temperature range 30 °C - 250 °C
- fullSteam Plus
- Cavity volume: 71 l

#### Hook-in racks / rails

- Number of shelf levels: 5 PC
- varioClip rails Plus, full extension, with Stop function

#### Design:

- blackSteel application
- Touchcontrol
- studioLine Glass handle
- Cavity inner surface: enamel

#### Cleaning:

- ecoClean Plus: coating of ceiling, back panel, side liners
- humidClean Plus, ecoClean Plus program
- Full glass inner door

#### Comfort:

- Oven Assistant with Voice Control and Automatic Door opening
- TFT-Touchdisplay Pro
- electronic clock
- Temperature proposal
- Actual temperature display Optical temperature control
- automatic opening, Drop down door
- softMove for gentle opening and closing of the oven door
- cookControl Pro
- roastingSensor Plus
- bakingSensor Plus
- fastPreheat
- coolStart
- steamBoost - add for 3min intensive steam with a touch of a button.
- There are different steam intensities selectable: steam level high, steam level middle, steam level low
- LED illumination, Independent oven interior light button
- Water tank empty indicator
- Location of the steam generator is outside of the cavity
- Integral cooling fan
- Home Connect ready on Wi-Fi

#### Accessory:

- 1 x sponge, 1 x universal pan, 1 x enamel baking tray, 1 x Steam container, punched, size M, 1 x steam container, punched, size XL, 1 x Steam container, unpunched, size M, 1 x grid

#### Environment and Safety:

- Low door temperature
- Triple glazed door with heat reflective glass glazed CoolTouch door
- Child lock

- Residual heat indicator Start-/Stop button Door contact switch

#### Technical Information

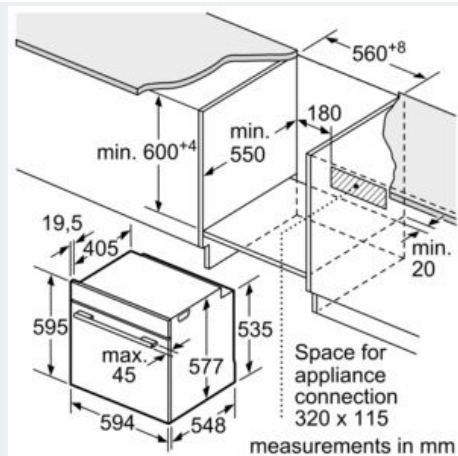
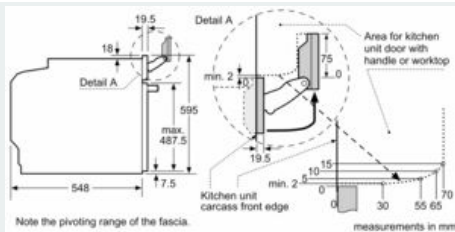
- Length of mains cable: 120 cm
- Nominal voltage: 220 - 240 V
- Total connected load electric: 3.6 KW
- Energy efficiency rating (acc. EU Nr. 65/2014): A+(at a range of energy efficiency classes from A+++ to D)
- Energy consumption per cycle in conventional mode:0.87 kWh
- Energy consumption per cycle in fan-forced convection mode:0.69 kWh
- Number of cavities: 1 Heat source: electrical Cavity volume:71 l
- 

#### Dimensions:

- Appliance dimension (HxWxD): 595 mm x 594 mm x 548 mm
- Niche dimension (HxWxD): 585 mm - 595 mm x 560 mm - 568 mm x 550 mm
- "Please reference the built-in dimensions provided in the installation drawing"

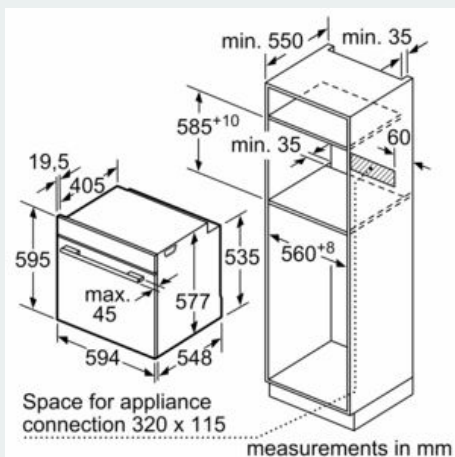
## iQ700, Built-in oven with steam function, 60 x 60 cm, Black HS958KDB1

### Dimensioned drawings

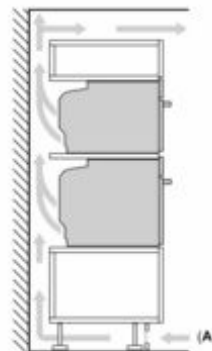


If the appliance will be installed underneath a hob, the following worktop thicknesses (including substructure if necessary) must be taken into account.

| Hob type                   | min. worktop thickness |       |
|----------------------------|------------------------|-------|
|                            | fitted                 | flush |
| Induction hob              | 37 mm                  | 38 mm |
| Full surface Induction hob | 47 mm                  | 48 mm |
| Gas hob                    | 30 mm                  | 38 mm |
| Electric hob               | 27 mm                  | 30 mm |



Installing two appliances on top of each other  
Air exchange



A: Air inlet  $\geq 200 \text{ cm}^2$