

iQ300, telescopic cooker hood, 60 cm, Silver metallic LI67SA531

A



The powerful telescopic cooker hood practically disappears into the upper cabinet.

- ✓ iQdrive motor - The quiet, high-performance motor ensures efficient removal of odours and steam.
- ✓ Optimal visibility and atmosphere when cooking - LED light.
- ✓ Extremely quiet – The quiet hood that keeps the calm your kitchen.
- ✓ Pleasantly quiet - motor
- ✓ Intensive setting revert - Peak performance when steam escapes, and an automatic revert after a few minutes.

Features

Technical Data

Typology : Pull-out
 Approval certificates : CE, VDE
 Length electrical supply cord : 175 cm
 Required niche size for installation (HxWxD) : 385mm x 524.0mm x 290mm mm
 Minimum distance above an electric hob : 430 mm
 Minimum distance above a gas hob : 650 mm
 Net weight : 10.3 kg
 Type of control : Electronic
 Maximum output air extraction : 399 m³/h
 Boost position output recirculating : 628 m³/h
 Maximum output recirculating air : 358 m³/h
 Boost position air extraction : 728 m³/h
 Number of lights : 2
 Noise level : 53 dB(A) re 1 pW
 Diameter of air outlet : 120 / 150 mm
 Grease filter material : Washable stainless steel
 EAN code : 4242003880166
 Connection Rating : 144 W
 Fuse protection : 10 A
 Voltage : 220-240 V
 Frequency : 50; 60 Hz
 Plug type : Gardy plug w/ earthing
 Installation typology : Built-in

Optional accessories

LZ46850	Design-Handle strip
LZ46600	Lowering frame
LZ46561	Handle strip black
LZ46521	Handle strip white
LZ12IT114	Clean Air Standard recirculation kit
LZ11IXC16	Clean Air Plus recirc. kit external
LZ11IXB16	Clean Air Plus odor filter (replacement)
LZ11ITD11	Long Life recirculation kit external
LZ10ITP00	Long Life odor filter (replacement)



iQ300, telescopic cooker hood, 60 cm, Silver metallic LI67SA531

Features

Variant

- 60 cm wide
- 60 cm Telescopic hood, metallic silver
- For installation in a special wall cupboard (60 cm)
- Suitable for ducted or re-circulated extraction
- For recirculated extraction standard recirculation kit or Clean Air Plus recirculation kit (accessory) needed

Design

Comfort

- Push button controls with Electronic display
- Electronic controls via Push button controls with Electronic display
- Electronic controls
- Push button controls (3 speeds plus intensive setting) with Electronic display
- Electronic controls
- Push button controls
- 3 speeds plus intensive setting
- Automatic revert setting, 6 minutes
- Automatic 10 minutes after running

Features

- 2 x 1,5 W LED
- Colour Temperature: 3500 K
- Light Intensity: 294 lux
- Stainless steel filter covers, dishwasher safe
- Metal grease filter, dishwasher safe

Performance

- Extraction rate according to EN 61591 ø 15 cm:
- max. Normal use 399 m³/h
- Intensive 728 m³/h
- Extraction rate exhaust air according to EN 61591:
- max. normal use 399 m³/h, intensive 728 m³/h
- Noise level according to EN 60704-2-13 exhaust air:
- Max. normal use: 53 dB(A) re 1 pW
- Intensive: 68 dB(A) re 1 pW
- Extraction rate exhaust air according to EN 61591 max. 728 m³/h
- Noise level according to EN 60704-2-13 at max. normal use exhaust air: Noise, max. speed in normal us: 53 dB dB(A) re 1 pW
- Noise min./max. Normal Level: 41/53 dB
- With the Clean Air Plus recirculation kit (available as optional accessory) your appliances reaches:
- Extraction rate in recirculation mode: Max. normal use: 358 m³/h
- Intensive: 628 m³/h
- Noise level in recirculation mode: Max. normal use: 60 dB(A) re 1 pW
- Intensive: 71 dB(A) re 1 pW
- 2 high-performance blower, Efficient BLDC-technology
- Efficient BLDC-technology

Planning and installation information

- Telescopic comfort installation: easy installation system
- Dimensions (HxWxD): 426 x 598 x 290 mm
- Built-in dimensions (HxWxD): 385 x 524 x 290 mm
- Diameter pipe ø 150 mm (ø 120 mm enclosed)
- Electrical cable length 1.75 m
- Stainless steel handle included

•

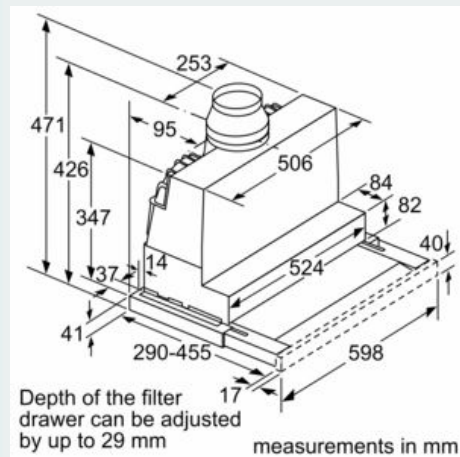
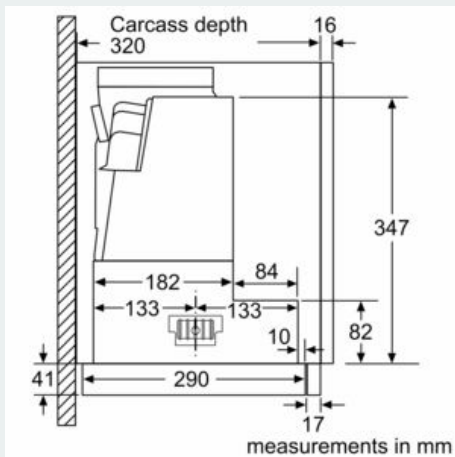
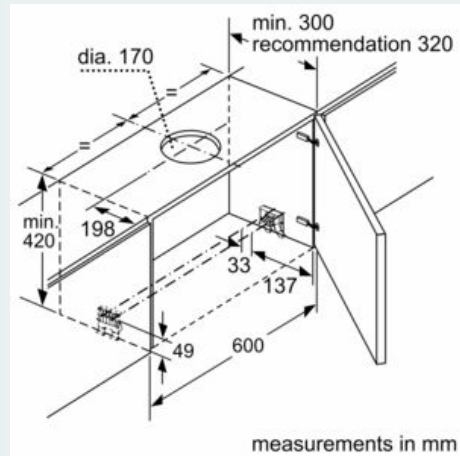
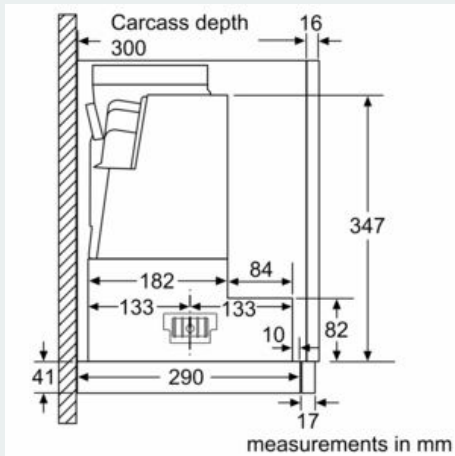
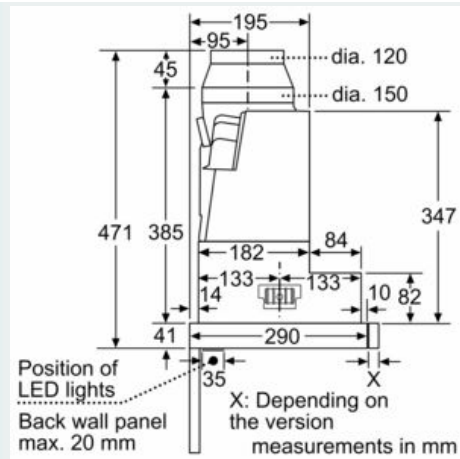
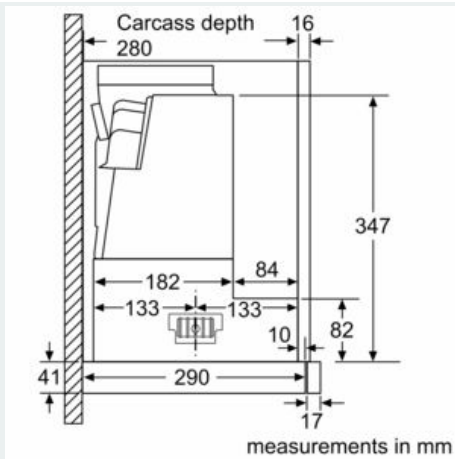
Consumption Data

- Energy Efficiency Class: A (at a range of energy efficiency classes from A+++ to D)
- Average Energy Consumption: 37.9 kWh/year
- Blower Efficiency Class: B*
- Lighting Efficiency Class: A
- Grease Filtering Efficiency Class: B
- Power rating: 144 W

* In accordance with the EU-Regulation No 65/2014

iQ300, telescopic cooker hood, 60 cm,
Silver metallic
LI67SA531

Dimensioned drawings



iQ300, telescopic cooker hood, 60 cm,
Silver metallic
LI67SA531

Dimensioned drawings

