

iQ500, Integrated Design Hood, 60 cm, clear glass black printed LJ67BAM60

B



Seamlessly integrated design hood for maximum use of storage space in your cupboards.

- ✓ Intensive setting revert - Peak performance when steam escapes, and an automatic revert after a few minutes.
- ✓ Storage space - Store up to 10 kg on each side of the hood.
- ✓ touchControl Plus - Easy control of the program settings and light functions.
- ✓ Optimal visibility and atmosphere when cooking - LED light.

Features

Technical Data

Typology : Built-in/Built-under
 Approval certificates : CE, VDE
 Length electrical supply cord : 130 cm
 Required niche size for installation (HxWxD) : 340mm x 560.0mm x 300mm mm
 Height of product, without chimney : 60 mm
 Minimum distance above an electric hob : 430 mm
 Minimum distance above a gas hob : 650 mm
 Net weight : 11.9 kg
 Type of control : Electronic
 Maximum output air extraction : 460 m³/h
 Boost position output recirculating : 652 m³/h
 Maximum output recirculating air : 451 m³/h
 Boost position air extraction : 749 m³/h
 Number of lights : 2
 Noise level : 63 dB(A) re 1 pW
 Diameter of air outlet : 120 / 150 mm
 Grease filter material : Washable stainless steel
 EAN code : 4242003897034
 Connection Rating : 256 W
 Voltage : 220-240 V
 Frequency : 50 Hz
 Plug type : Gardy plug w/ earthing
 Installation typology : Built-in

Optional accessories

LZ16IB14	Clean Air Standard recirculation kit
LZ16IBB14	Clean Air Standard odor filter (repl.)
LZ11IXB16	Clean Air Plus odor filter (replacement)
LZ11ITD11	Long Life recirculation kit external
LZ11IBN61	Chimney extension 187-360 mm
LZ11IBK61	Chimney extension 450-854 mm



iQ500, Integrated Design Hood, 60 cm, clear glass black printed LJ67BAM60

Features

Variant

- 60 cm wide
- For installation in a special wall cupboard (60 cm)
- Suitable for ducted or re-circulated extraction
- For recirculated extraction various recirculation kits are available as optional accessories.

Design

- Flush-fitted installation for a seamless integration in wall cupboards.
- Space efficient, compact design for extra storage possibilities on the hood and up to max. 10 kg storage weight per side.
- Glass panel with touch control for an easy operation and enhanced vapor capture.

Comfort

- Electronic controls via touchControl with Electronic display
- 3 speeds plus intensive setting
- Automatic reset facility from intensive to normal setting
- Automatic revert setting, 6 minutes
- The fan and light are automatically turned on and off by opening and closing the glass panel.
- The light can also be independently turned on and off when the glass panel is closed by quick hand touch on control area.

Features

- 2 x 2 W LED
- softLight
- Colour Temperature: 3500 K
- Light Intensity: 451 lux
- Energy efficient capacitor motor
- Metal grease filter, dishwasher safe
- cassette w. stainl.steel frame
- Easy to clean smooth surfaces and materials.

Performance

- Extraction rate according to EN 61591 ø 15 cm:
- max. Normal use: 460 m³/h
- Intensive: 749 m³/h
- Noise level according to EN 60704-2-13 exhaust air:
- Max. normal use: 63 dB(A) re 1 pW
- Intensive: 73 dB(A) re 1 pW
- Noise min./max. Normal Level: 50/63 dB
- With the Clean Air Plus recirculation kit (available as optional accessory) your appliances reaches:
- Extraction rate in recirculation mode: Max. normal use: 451 m³/h
- Intensive: 652 m³/h
- Noise level in recirculation mode: Max. normal use: 67 dB(A) re 1 pW
- Intensive: 74 dB(A) re 1 pW

Planning and installation information

- Integrated Design Hood comfort installation: easy installation system
- Suitable for installation in bottomless wall cupboards
- Enclosed spacers for installation in wall cupboards with maximum depth of up to 360 mm.
- Enclosed mats for protection against scratches and dirt of storage space on hood sides.

- For installation in higher wall cupboards chimney extensions are available as optional accessories.
- Chimney extensions are compatible with the available recirculation kits.
- Dimensions (HxWxD): 340 x 597 x 298 mm
- Built-in dimensions (HxWxD): 340 x 560 x 300 mm
- Diameter pipe Ø 150 mm (Ø 120 mm enclosed)
- with one-way flap
- Electrical cable length 1.3 m
- Please reference the built-in dimensions provided in the installation drawing

Consumption Data

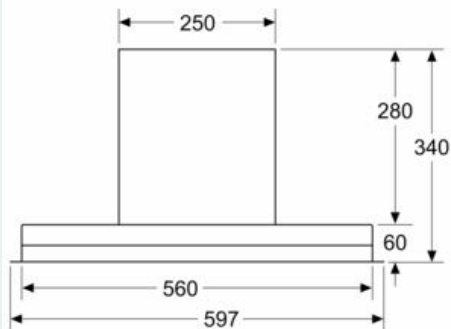
- Energy Efficiency Class: B (at a range of energy efficiency classes from A+++ to D)
- Average Energy Consumption: 62.7 kWh/year
- Blower Efficiency Class: B*
- Lighting Efficiency Class: A
- Grease Filtering Efficiency Class: B
- Power rating: 256 W

* In accordance with the EU-Regulation No 65/2014

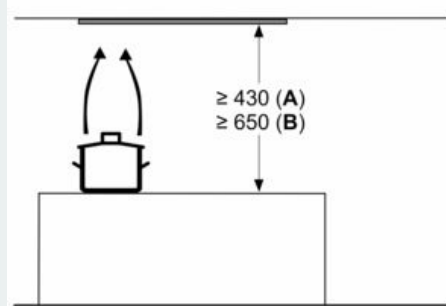
iQ500, Integrated Design Hood, 60 cm,
clear glass black printed
LJ67BAM60

Dimensioned drawings

measurements in mm
Front view

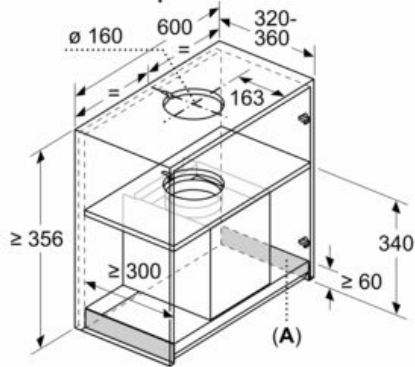


measurements in mm



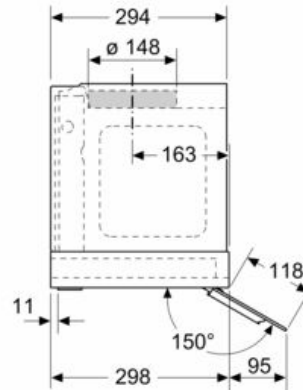
from upper edge of pan support
A: min. 430 electric
B: min. 650 gas

measurements in mm
Installation example

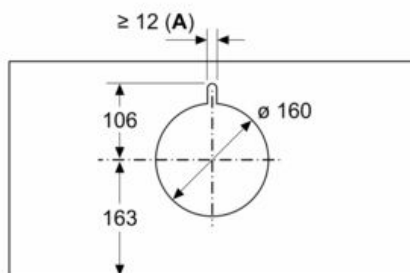


A: Area without hinges

measurements in mm
side view



measurements in mm



A: Cable bushing