



# MASTER LEDspot MV

MASTER LEDspotMV VLE D 5.3-50W GU10 840 36D

Delivering a warm, halogen-like accent beam, MASTER LEDspot MV is a perfect fit for spot lighting (track, corridors, lift lobbies, display cases and cabinets) in the hospitality industry. It is particularly suitable to public areas where the light is on 24/7, such as lobbies, corridors, stairwells. MASTER LEDspot MV delivers huge energy savings and minimizes maintenance cost without any compromise on brightness, enabling hospitality owners to achieve a return on their investment within one year. These LEDspots are compatible with most existing fixtures with a GU10 holder and designed as a retrofit replacement for halogen or incandescent spots. The dimmable versions drive further efficiencies, while helping to create the desired atmosphere.

## Product data

### • General Characteristics

Cap-Base	GU10
Bulb	PAR16 [PAR 2inch]
Rated Lifetime (hours)	25000 hr
Nominal Lifetime hours	25000 hr

Dimmable	Yes
Wattage Equivalent	50 W
Rated Wattage	5.3 W
Starting Time	0.5 (max) s
Warm-up Time to 60% Light Outp	instant full light
Suitable for accent lighting	Yes

### • Light Technical Characteristics

Color Code	840
Beam Angle	36 D
Beam Description	36D [Medium beam]
Correlated Color Temperature	4000 K
Luminous Flux	420 Lm
Luminous Intensity	1000 cd
Color rendering index	80
Luminous Efficacy Lamp	79.25 Lm/W
Color Temperature	4000 K [CCT 4000K]
Rated Luminous Flux	420 Lm
LLMF - end nominal lifetime	70 %
Colour consistency	6 steps
Rated Beam Angle	36 D
Luminous flux in 90° cone	390 Lm

### • Temperature Characteristics

T-case maximum	75 C
----------------	------

### • Environmental characteristics

Energy Efficiency Label (EEL)	A+
-------------------------------	----

### • Measuring Conditions

Switching cycle	50000X
-----------------	--------

### • Product Dimensions

Overall Length C	55 mm
Diameter D	50 mm

### • Product Data

Order code	929000288802
Full product code	929000288802
Full product name	MASTER LEDspotMV VLE D 5.3-50W GU10 840 36D
Order product name	MAS LEDspotMV VLE D 5.3-50W GU10 840 36D
Pieces per pack	1
Packing configuration	10

### • Electrical Characteristics

Wattage	5.3 W
Voltage	220-240 V
Line Frequency	50-60 Hz
Power Factor	0.5 -
Lamp Current mA	29 mA



# PHILIPS

# MASTER LEDspot MV

Packs per outerbox 10  
Bar code on pack - EAN1 8718291771951  
Bar code on outerbox - EAN3 8718291771968

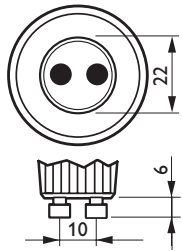
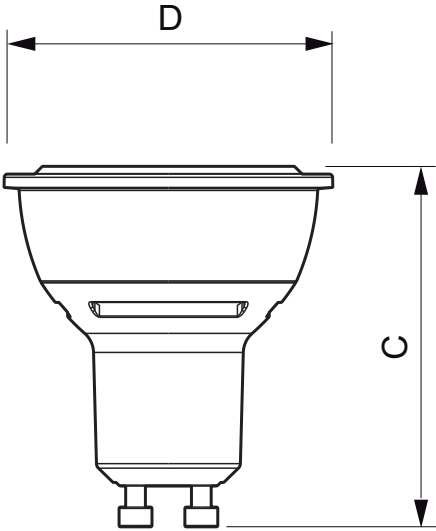
Logistic code(s) - 929000288802  
12NC  
Net weight per piece 0.038 kg

## Warnings and Safety

- Operating temperature range is between -20° C and 45° C ambient

- Only to apply in dry or damp locations and most of open fixtures with lamp-holders that offer sufficient space (10 mm free air space)
- Not intended for use with emergency light fixtures or exit lights

## Dimensional drawing

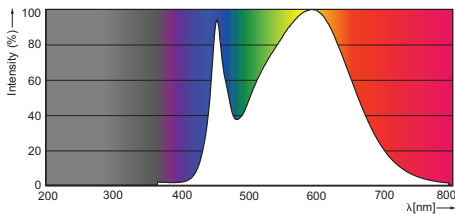


GU10

## MASTER LEDspotMV VLE D 5.3-50W GU10 840 36D

Product	C (Norm)	C1 (Max)	D (Norm)	D1 (Norm)
LED VLE D 5.3-50W GU10 840 36D	55	-	50	-

## Photometric data



4.5-35 W, 5.3-50 W GU10 PAR16 840 4000K 36D



© 2014 Koninklijke Philips N.V. (Royal Philips)  
All rights reserved.

Specifications are subject to change without notice. Trademarks are the property of Koninklijke Philips N.V. (Royal Philips) or their respective owners.

[www.philips.com/lighting](http://www.philips.com/lighting)

2014, July 27  
data subject to change