

## iQ300, Built-In Microwave, 60 x 38 cm, Stainless steel BF523LMS0



38 cm high built-in microwave for defrosting, reheating or preparation of dishes in the shortest possible time.

- ✓ Automatic programs ensure excellent results - cookControl7.
- ✓ Allows the temperature to be controlled by entering it directly or by moving the slider with a single finger - touchControl.
- ✓ Time-saving and powerful up to 800 watts - Wattage.
- ✓ LED-Illumination: optimum, energy-efficient illumination.
- ✓ Ideal for elevated installation - side-opening hinged door.

### Features

#### Technical Data

Type of control : Electronic  
 Color / Material Front : Stainless steel  
 Cavity dimensions : 201.0 x 308.0 x 282.0 mm  
 Approval certificates : CE, Eurasian  
 Length electrical supply cord : 130 cm  
 Net weight : 17.1 kg  
 Gross weight : 19.0 kg  
 EAN code : 4242003900543  
 Maximum micro-wave power : 800 W  
 Connection Rating : 1270 W  
 Fuse protection : 10 A  
 Voltage : 220-230 V  
 Frequency : 50 Hz  
 Plug type : Gardy plug w/ earthing  
 Cavity dimensions : 201.0 x 308.0 x 282.0 mm  
 Included accessories : 1 x Turntable

### Included accessories

1 x Turntable



## iQ300, Built-In Microwave, 60 x 38 cm, Stainless steel BF523LMS0

### Features

#### Microwave and heating mode:

- Max. Power: 800 W; 5 Microwave power settings: 90 W, 180 W, 360 W, 600 W, 800 W
- Cavity volume: 20 l

#### Design:

- stainless steel cavity

#### Cleaning:

- humidClean (manually)

#### Comfort:

- LED display
- electronic clock
- Touchcontrol, touchSlider
- User-friendly electronics: extremely
- easy and comfortable operation
- cookControl 7
- 4 defrost and 3 cooking programmes in microwave function
- Memory for individual programmes (1 setting)
- LED illumination
- 25.5 cm glass turntable
- side opening door, hinge left
- Open door button
- Touch key operation

#### Accessory:

- 1 x Turntable

#### Environment and Safety:

- Door contact switch
- 
- Integral cooling fan

#### Technical Information

- Length of mains cable: 130 cm
- Total connected load electric: 1.27 KW
- Nominal voltage: 220 - 230 V
- suitable for high cupboard installation, can be built in a 60 cm wall cupboard (at least 30 cm deep)

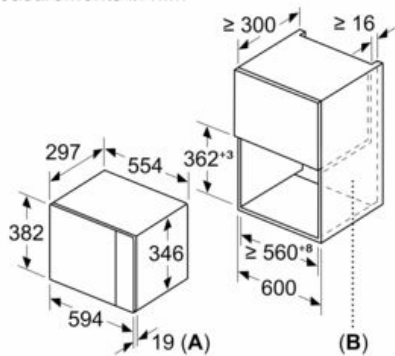
#### Dimensions:

- Appliance dimension (HxWxD): 382 mm x 594 mm x 317 mm
- Niche dimension (HxWxD): 362 mm - 365 mm x 560 mm - 568 mm x 300 mm
- "Please reference the built-in dimensions provided in the installation drawing"

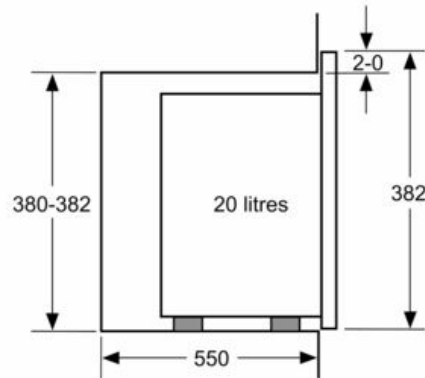
**iQ300, Built-In Microwave, 60 x 38 cm,  
Stainless steel  
BF523LMS0**

Dimensioned drawings

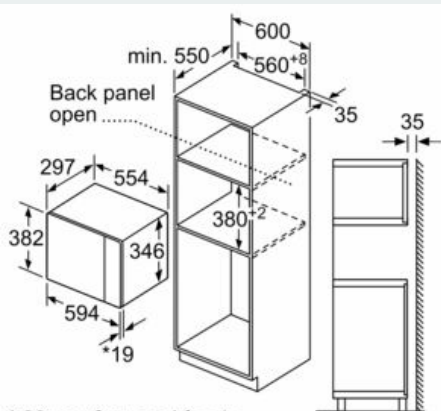
measurements in mm



**A:** 20 mm for metal fascia  
**B:** Back panel open



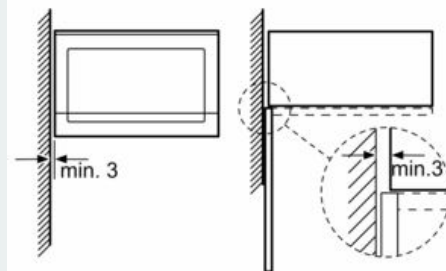
measurements in mm



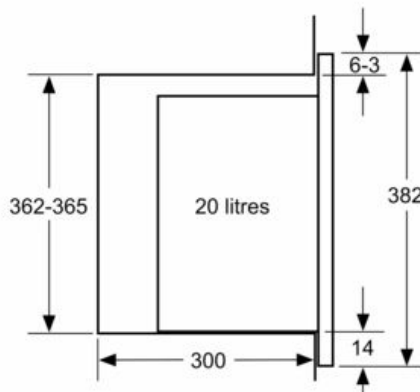
\* 20 mm for metal fascia

measurements in mm

Microwave,  
corner installation



Measurements in mm



measurements in mm