

**iQ500, Built-in oven, 60 x 60 cm,
Stainless steel
HB279GES3**



Excellent results in your kitchen: self-cleaning oven with activeClean and Air Fry.

- ✓ Air fry – the healthier way to snack.
- ✓ activeClean® – The automatic, self-cleaning oven system.
- ✓ TFT-Display: Clear text display and intuitive operation.
- ✓ Automatic programs ensure best results - cookControl40.
- ✓ 3D hotAir – Even heat distribution on up to three levels for excellent results.

1 x combination grid, 1 x universal pan, 1 x Air Fry & Grill tray

HZ629070 Air Fry & Grill tray, HZ631070 Baking tray, enamelled, HZ632070 Multipurpose pan, enamelled, HZ633001 Lid for professional pan, enamelled, HZ633070 Professional pan with grid, enamelled, HZ633073 Professional pan, enamelled, HZ634000 Baking and roasting grid (standard), HZ636000 Glass pan, HZ638000 Full ext rails, level independent, HZ66X650 Cover Strip, HZ915003 Glass roasting dish, 5,4 L, HZG0AS00 Connecting cable 3m, HZ327000 Baking stone, HZ32WA00 Wireless food thermometer, HZ531010 Baking tray, non-stick ceramic coated, HZ532010 Universal pan, non-stick ceramic coated, HZ538000 varioClip rail, HZ617000 Pizza pan, enamelled

Gross weight:	39.0 kg
Design:	Built-in
Integrated Cleaning system:	Pyrolytic+Hydrolytic
Required niche size for installation (HxWxD): ..	585-595 x 560-568 x 550 mm
Dimensions:	595x594x548 mm
Dimensions of the packed product (HxWxD): ...	675 x 660 x 690 mm
Control Panel Material:	Glass
Door Material:	Glass
Net weight:	36.9 kg
Usable volume of cavity:	71 l
Heating modes::	Air fry, Full width grill, Hotair gentle, Hot Air, Intensive heat, Half width grill, Conventional heat, Pizza setting, low temperature cooking, coolStart, Bottom heat, Hot air grilling, pre-heating, warming
Number of interior lights:	1
Length electrical supply cord:	120.0 cm
Interior Lights - cavity 1:	1
Pull-out system:	1-level
Included accessories:	1 x combination grid, 1 x universal pan, 1 x Air Fry & Grill tray
Broil Element Wattages cavity 1:	2800 W
Convection Element Wattages cavity 1:	2200 W
Energy efficiency:	A+: efficient
Energy consumption per cycle conventional (2010/30/EC):	0.94 kWh/cycle
Energy consumption per cycle forced air convection (2010/30/EC):	0.69 kWh/cycle
Energy efficiency index (2010/30/EC):	81.2 %
Connection rating:	3600 W
Fuse protection:	16 A
Voltage:	220-240 V
Frequency:	50; 60 Hz
Plug type:	Gardy plug w/ earthing
Source of energy:	Electric
Required cutout/niche size for installation (in):	x
Dimensions of the packed product:	26.57 x 25.98 x 27.16
Net weight:	81.000 lbs
Gross weight:	86.000 lbs
Length electrical supply cord:	120.0 cm
Net weight:	36.9 kg



iQ500, Built-in oven, 60 x 60 cm, Stainless steel HB279GES3

Type of oven / heating system:

- Oven with 14 heating methods: 3D hotAir, Conventional heat, hotAir grilling, Full width grill, Half width grill, Pizza setting, coolStart, Bottom heat, Intensive heat, Gentle heating, Plate warming setting, Keep warm, hotAir gentle, Air fry
- Temperature range 30 °C - 275 °C
- Cavity volume: 71 l

Hook-in racks / rails

- Number of shelf levels: 5 PC
- 1 level telescopic shelf, with Stop function, standard extension

Design:

- Rotary Control, Retractable controls
- Cavity inner surface: enamel anthracite

Cleaning:

- activeClean®
- humidClean (manually)
- Full glass inner door

Comfort:

- TFT Touchdisplay Plus (white)
- electronic clock
- Temperature proposal
- automatic start Actual temperature display Optical temperature control
- cookControl 40
- Drop down door
- Bar handle
- softMove for gentle opening and closing of the oven door
- Supporting systems: Programs
- fastPreheat
- coolStart
- Halogen interior lighting, Independent oven interior light button
- Integral cooling fan
- Info button

Accessory:

- 1 x combination grid, 1 x universal pan, 1 x Air Fry & Grill tray

Environment and Safety:

- Very low door temperature
- Low door temperature during pyrolytic cleaning
- Quadruple glazed door with heat reflective glass glazed CoolTouch door
- Automatic door lock during pyrolysis
- Child lock Residual heat indicator Door contact switch

Technical Information

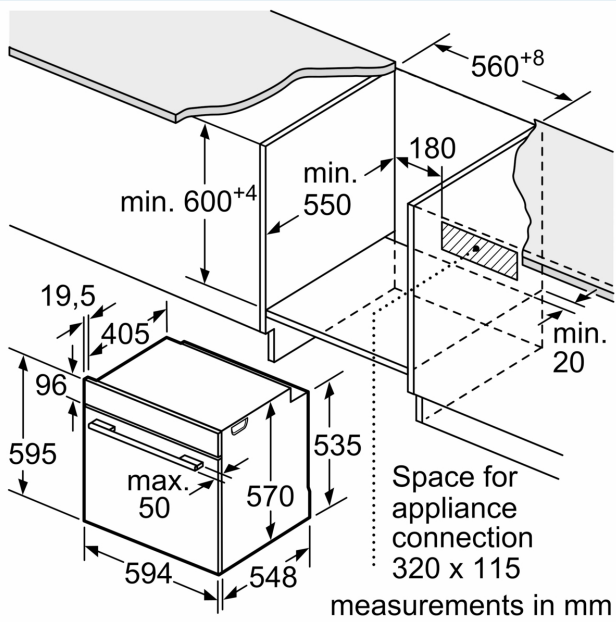
- Length of mains cable: 120 cm
- Nominal voltage: 220 - 240 V
- Total connected load electric: 3.6 KW

- Energy efficiency rating (acc. EU Nr. 65/2014): A+(at a range of energy efficiency classes from A+++ to D)
- Energy consumption per cycle in conventional mode:0.94 kWh
- Energy consumption per cycle in fan-forced convection mode:0.69 kWh
- Number of cavities: 1 Heat source: electrical Cavity volume:71 l

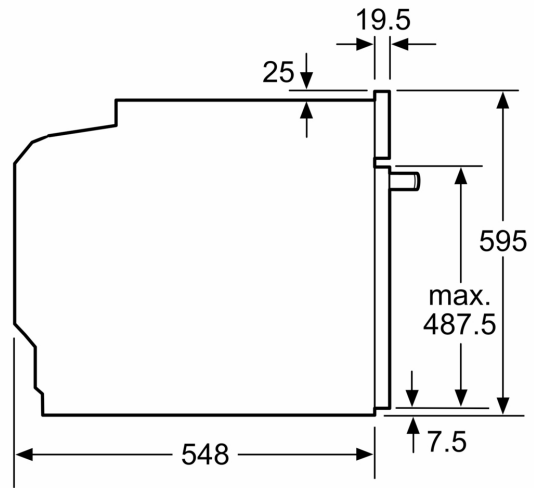
Dimensions:

- Appliance dimension (HxWxD): 595 mm x 594 mm x 548 mm
- Niche dimension (HxWxD): 585 mm - 595 mm x 560 mm - 568 mm x 550 mm
- "Please reference the built-in dimensions provided in the installation drawing"

**iQ500, Built-in oven, 60 x 60 cm,
Stainless steel
HB279GES3**

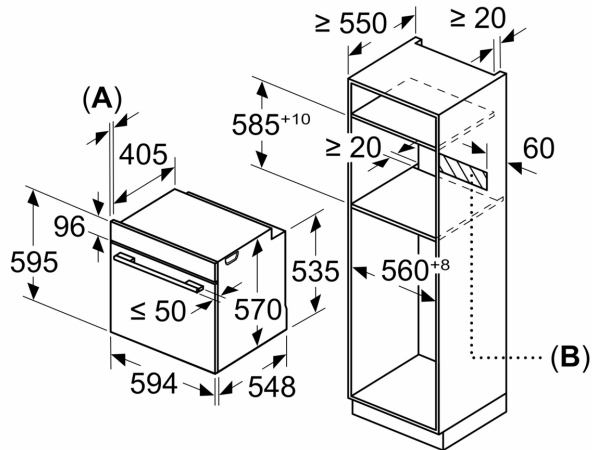


measurements in mm



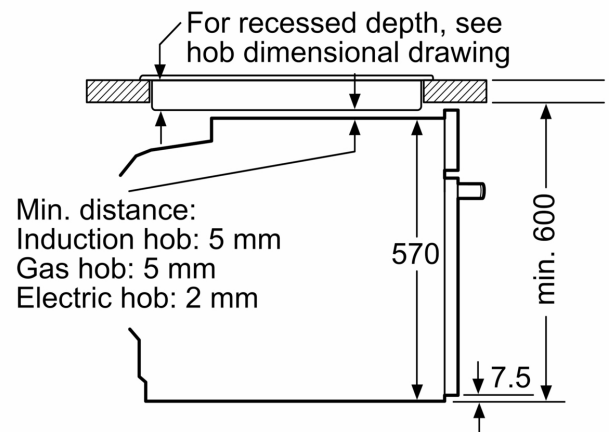
measurements in mm

Measurements in mm



A: 19.5 mm
B: Space for appliance connection 320 x 115 mm

Installation with a hob.



measurements in mm