

**iQ300, free-standing  
fridge-freezer with freezer at  
bottom, 186 x 60 cm, Brushed  
steel anti-fingerprint, Total  
noFrost  
KG36NVIDG**



Bottom freezer with hyperFresh Box to keep fruit and vegetables fresh, plus Total noFrost for no more defrosting.

- ✓ hyperFresh <math>0^{\circ}\text{C}</math>: More space for fruit and vegetables. A cold climate for fish and meat.
- ✓ Metal backwall with multiAirflow: Evenly cooled food and drinks on all levels.
- ✓ superCooling: Fast cooling for your fresh food.
- ✓ bottleRack: Store your bottles safely and in easy reach.
- ✓ Brushed steel with Anti fingerprint: Reduce the need for cleaning your brushed steel doors.

## Features

### Technical Data

Energy Efficiency Class (Regulation (EU) 2017/1369) <sup>1</sup> :	D
Average annual energy consumption in kilowatt hour per year (kWh/a) <sup>2</sup> :	199 kWh/annum
Sum of volume of frozen compartments:	103 l
Sum of volume of chill compartments:	218 l
Airborne acoustical noise emissions :	35 dB(A) re 1pW
Airborne acoustical noise emission class:	B
Design:	Free-standing
Number of compressors:	1
Number of independent cooling systems:	2
Width of the appliance:	600 mm
Height:	1860 mm
Depth:	665 mm
Net weight:	64.2 kg
Door panel options:	Not possible
Door hinge:	Right reversible
Number of Adjustable Shelves in fridge compartment:	2
Shelves for Bottles:	Yes
Frost free system:	Fridge and freezer
Interior ventilator:	No
Reversible Door Hinge:	Yes
Length electrical supply cord:	231 cm
Noise level:	35 dB(A) re 1pW
Multi-Flow Air Tower:	Yes
Fast cooling switch:	Yes
Fast freezing function:	Yes
Temperature Controlled Drawer:	No
Humidity Control Drawer:	No
Number of Door Bins - Refrigerator:	3
Door bin adjustability - Refrigerator:	Yes
Tilt-out door bins in fridge:	No
Gallon wide door bins:	Yes
Number of Gallon storage:	1
Motorized Shelf:	No
Material of the shelves:	Safety glass
Door opened indicator freezer:	No
Automatic motor-driven ice-maker:	No
Fuse protection:	10 A
Voltage:	220-240 V
Frequency:	50 Hz
Storage Period in Event of Power Failure (h):	14 h
Door panel options:	Not possible
Noise level:	35 dB(A) re 1pW
ENERGY STAR® certified:	No
Plug type:	Gardy plug w/ earthing
Required cutout/niche size for installation (in):	x
Dimensions of the packed product:	75.78 x 25.98 x 30.70
Net weight:	142.000 lbs

<sup>1</sup> Scale of Energy Efficiency Classes from A to G

<sup>2</sup> Based on the results of the standard 24-hour test. Actual consumption depends on usage/position of the appliance.

Gross weight: ..... 156.000 lbs



## iQ300, free-standing fridge-freezer with freezer at bottom, 186 x 60 cm, Brushed steel anti-fingerprint, Total noFrost KG36NVIDG

### Features

- KG36NVIDG
- Total noFrost - frost-free freezer and no condensation in fridge
- Brushed steel anti-fingerprint Doors

#### Performance and consumption

- Energy Class: D
- Total Volume: 321 l
- Annual Energy Consumption: 199 kWh/a
- Noise Level : 35 dB , B Class

#### Design and Styling

- Doors Brushed steel anti-fingerprint, side panels Pearl grey (VZF 07127)
- Integrated vertical handle
- Metal backwall with multi airflow
- LED with Soft Start in fridge section

#### Convenience & Safety

- Total noFrost - frost-free freezer and no condensation in fridge
- Twin LED electronic control
- Two Cooling Systems
- Super Cooling: automatic deactivation
- Optical and acoustic door open warning system
- Optical and acoustic warning system for malfunction of freezer compartment

#### Fridge Compartment

- Net Fridge Volume : 218 l
- Multi Airflow-System
- 4 PC safety glass shelves of which 2 are height adjustable
- Bottle storage: Bottle grid
- 1 door bin(s) high, 2 door bin(s) small

#### Freshness System

- 1 hyperFresh  $\rightarrow 0^{\circ}\text{C}$  box - fish and meat stay fresh for longer.
- 1 hyperFresh box with adjustable humidity - keeps fruit and vegetables fresh for longer.

#### Freezer

- Net Freezer Volume : 103 l
- Freezing capacity 24h: 9.5 kg
- Temperature rise time : 14 H
- Fast Freeze Facility
- 3 transparent freezer drawers

#### Dimensions

- Appliance Dimensions ( H x W x D): 186 cm x 60 cm x 66.5 cm

#### Technical Information

- Door right hinged, reversible

- Height adjustable front feet
- Length of power cord: 231 cm
- Climate Class: SN-T
- Nominal voltage: 220 - 240 V

#### Accessories

- ice cube tray
- ice cube tray

#### Country Specific Options

- Based on the results of the standard 24-hour test. Actual consumption depends on usage/position of the appliance.

#### Environment and Safety

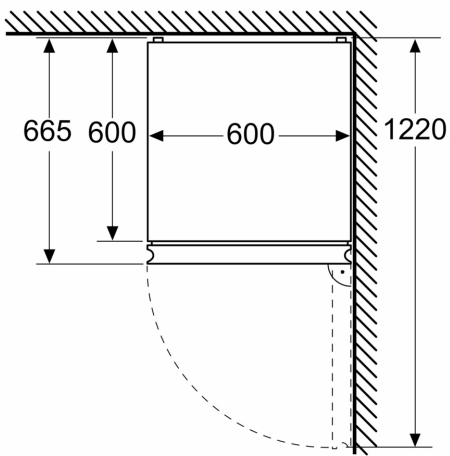
#### Installation

#### General Information

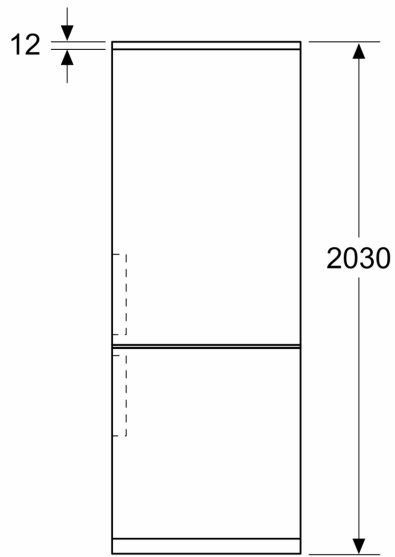
iQ300, free-standing  
fridge-freezer with freezer at  
bottom, 186 x 60 cm, Brushed  
steel anti-fingerprint, Total  
noFrost  
KG36NVIDG

Dimensioned drawings

Measurements in mm



Measurements in mm



Measurements in mm

